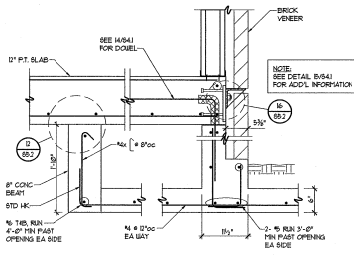


SECTION 1
 1/4" = 1'-0" OK TO USE LARGER REBAR ON EXHAUST SHAFT RFT 276



SECTION 2
 1" = 1'-0"



ANIKROM MOISAN
 ARCHITECT
 6720 SW Macomb, Suite 100, Farmington Hills, MI 48334
 PHONE 508.245.7100 | FAX 508.245.7110 | WWW.AMAA.COM

TCR - THE VAUX
 TRAMMELL CROW RESIDENTIAL

MARK	DATE
△	2-10-05
△	2-16-05
△	3-10-05

DATE: 03.10.05
 JOB: 041100
 FILE:
 DRAWN: MS
 CHECKED: DA

COPYRIGHT ANIKROM MOISAN ASSOCIATED ARCHITECTS 2005

FOUNDATION DETAILS



ANAKROM MOISAN
ARCHITECTURE INTERIORS
PLANNING
97219
6720 SW MAXWELL AVE, PORTLAND, OREGON 97219
PHONE 503-245-7100 | FAX 503-245-7710 | WWW.AMAA.COM

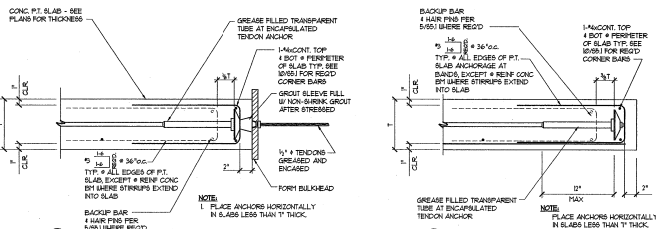
TCR - THE VAUX
TRAMMELL CROW RESIDENTIAL

MARK	DATE
▲	2-10-05
▲	2-15-05
▲	3-10-05

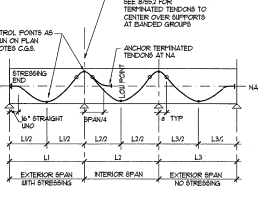
DATE: 03-10-05
JOB: 041100
FILE:
DRAWN: MS
CHECKED: DA

COPYRIGHT ANAKROM MOISAN ASSOCIATED ARCHITECTS 2004

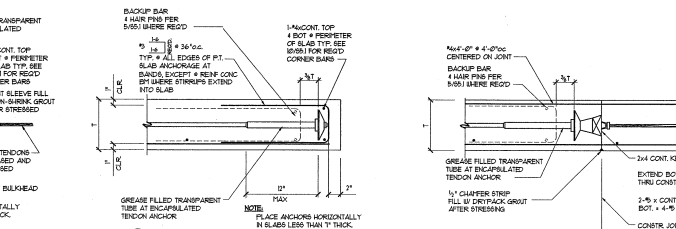
P.T. SLAB DETAILS



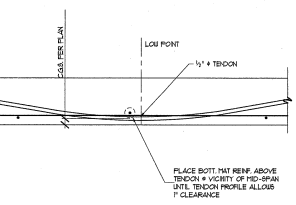
SECTION 1 STRESSING ANCHORAGE
1/2" x 1'-0"



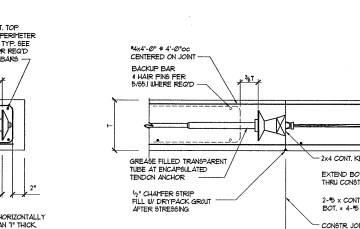
SECTION 6 PROFILE FOR REVERSED PARABOLA TENDONS
NT.S.



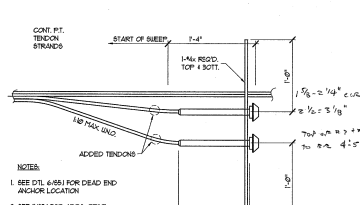
SECTION 2 DEAD END ANCHORAGE
1/2" x 1'-0"



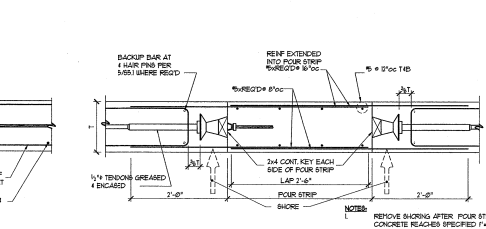
SECTION 7 TYP. PROFILE/REIN. DETAIL
1/2" x 1'-0"



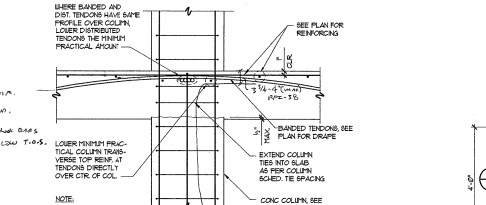
SECTION 3 CONSTRUCTION JOINT
1/2" x 1'-0"



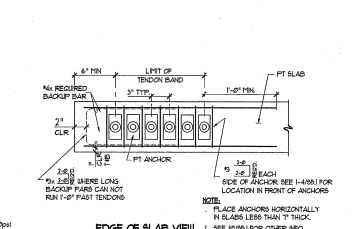
SECTION 8 TYP. ADD TENDON DETAIL
NT.S.



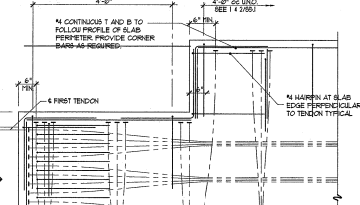
SECTION 4 POUR STRIP
1" x 1'-0"



SECTION 9 TYP. INTERIOR COL.
1" x 1'-0"



SECTION 5 EDGE OF SLAB VIEW
1/2" x 1'-0"

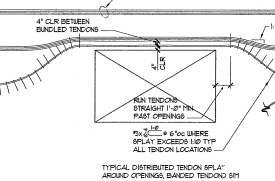


SECTION 10 SECTION
1/2" x 1'-0"

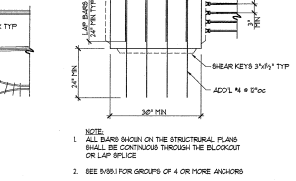
DECON STUDDL SCHEDULE

COL. MARK	NO. OF RAILS PER COL. (1)	NO. OF RAILS PER COL. (2)	STUD	NO. OF STUDS PER RAIL	50	5
K422	16	3	5	1 1/4"	19	3"
K422	14	3	4	1 1/4"	16	3"
K422	12	3	3	1 1/4"	14	3"
K422	10	3	3	1 1/4"	14	3"
K436	20	3	1	1 1/4"	25	3"

1. SEE DETAIL S5.11 (S5.1) FOR USE IN CONNECTION WITH THIS SCHEDULE.
2. SEE S5.951 FOR GROUPS OF 4 OR MORE ANCHORS.

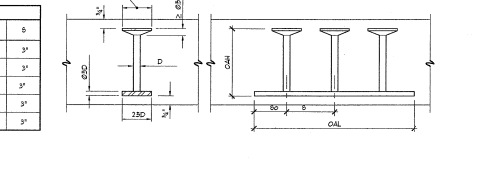


SECTION 11 SECTION
1/2" x 1'-0"

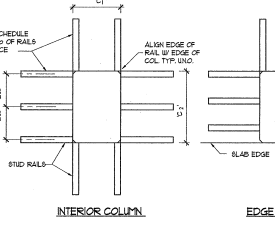


SECTION 12 SECTION
1/2" x 1'-0"

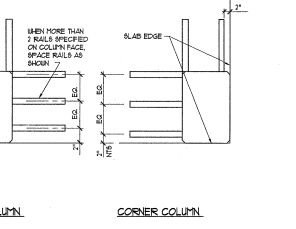
SECTION 13 NOT TO SCALE



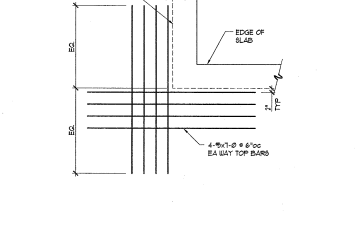
SECTION 14 SECTION
3" x 1'-0"



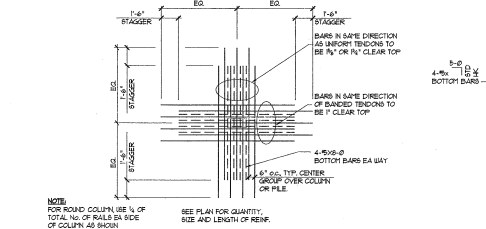
SECTION 15 STUD RAIL PLACEMENT DETAIL
1" x 1'-0"



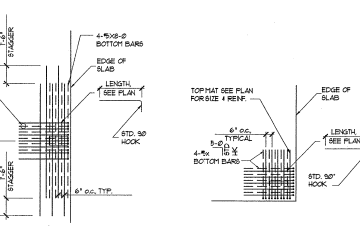
SECTION 16 P.T. SLAB CORNER REIN
1/2" x 1'-0"



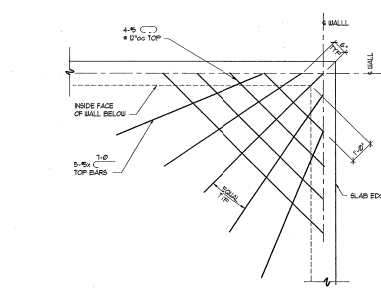
SECTION 17 SECTION
1" x 1'-0"



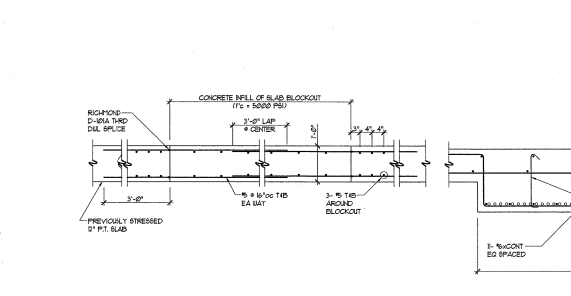
SECTION 18 SECTION
1" x 1'-0"



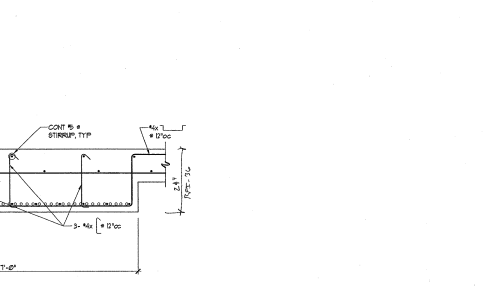
SECTION 19 SECTION
1" x 1'-0"



SECTION 20 P.T. SLAB CORNER REIN
1/2" x 1'-0"



SECTION 21 SECTION
1/2" x 1'-0"



SECTION 22 SECTION
1/2" x 1'-0"

Report For Information 206

TCR
TRUSTEES COMPANY OF NEW YORK

Report For Information 206
 Issued Under the New York

Project Name	Project No.	Project Date	Project Status
Client Name	Client No.	Client Address	Client City
Contract No.	Contract Date	Contract Value	Contract Type
Inspector Name	Inspector No.	Inspector Address	Inspector City
Inspector Title	Inspector License No.	Inspector License State	Inspector License Expiration
Inspector License Category	Inspector License Issue Date	Inspector License Issue State	Inspector License Issue City
Inspector License Issue State	Inspector License Issue City	Inspector License Issue Date	Inspector License Issue State

Inspector: [Name] License No. [Number] State [State] Issue Date [Date] Expiration [Date]

Project: [Name] Address [Address] City [City] State [State] Zip [Zip]

Contract: [Number] Date [Date] Value [Amount] Type [Type]

Notes:

1. [Note 1]

2. [Note 2]

3. [Note 3]

4. [Note 4]

5. [Note 5]

6. [Note 6]

7. [Note 7]

8. [Note 8]

9. [Note 9]

10. [Note 10]

11. [Note 11]

12. [Note 12]

13. [Note 13]

14. [Note 14]

15. [Note 15]

16. [Note 16]

17. [Note 17]

18. [Note 18]

19. [Note 19]

20. [Note 20]

21. [Note 21]

22. [Note 22]

23. [Note 23]

24. [Note 24]

25. [Note 25]

26. [Note 26]

27. [Note 27]

28. [Note 28]

29. [Note 29]

30. [Note 30]

31. [Note 31]

32. [Note 32]

33. [Note 33]

34. [Note 34]

35. [Note 35]

36. [Note 36]

37. [Note 37]

38. [Note 38]

39. [Note 39]

40. [Note 40]

41. [Note 41]

42. [Note 42]

43. [Note 43]

44. [Note 44]

45. [Note 45]

46. [Note 46]

47. [Note 47]

48. [Note 48]

49. [Note 49]

50. [Note 50]

51. [Note 51]

52. [Note 52]

53. [Note 53]

54. [Note 54]

55. [Note 55]

56. [Note 56]

57. [Note 57]

58. [Note 58]

59. [Note 59]

60. [Note 60]

61. [Note 61]

62. [Note 62]

63. [Note 63]

64. [Note 64]

65. [Note 65]

66. [Note 66]

67. [Note 67]

68. [Note 68]

69. [Note 69]

70. [Note 70]

71. [Note 71]

72. [Note 72]

73. [Note 73]

74. [Note 74]

75. [Note 75]

76. [Note 76]

77. [Note 77]

78. [Note 78]

79. [Note 79]

80. [Note 80]

81. [Note 81]

82. [Note 82]

83. [Note 83]

84. [Note 84]

85. [Note 85]

86. [Note 86]

87. [Note 87]

88. [Note 88]

89. [Note 89]

90. [Note 90]

91. [Note 91]

92. [Note 92]

93. [Note 93]

94. [Note 94]

95. [Note 95]

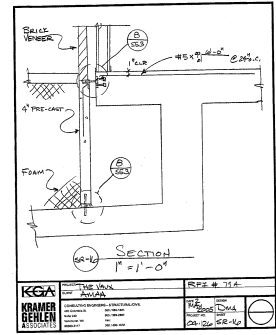
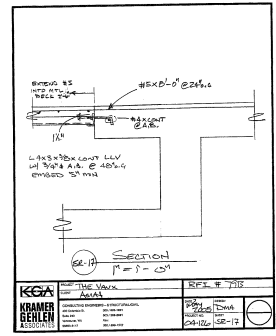
96. [Note 96]

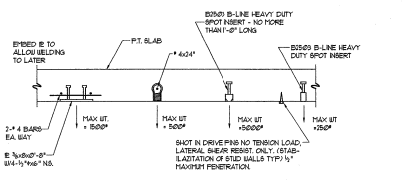
97. [Note 97]

98. [Note 98]

99. [Note 99]

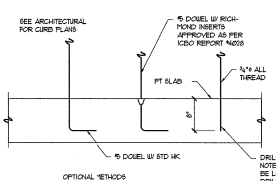
100. [Note 100]



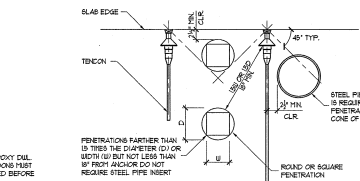


GENERAL CONTRACTOR TO:
1. DRILLED IN ANCHORS REQUIRE COORDINATE ALL INSERTS INTO THE P.T. SLAB PRIOR TO POUR. ALL ANCHORS TO PLACE THROUGH REINFORCING SUPPORT NEEDS.
2. DRILLED IN ANCHORS REQUIRE COORDINATE ALL INSERTS INTO THE P.T. SLAB PRIOR TO POUR. ALL ANCHORS TO PLACE THROUGH REINFORCING SUPPORT NEEDS.
3. HANGING OF TRICON LOCATIONS SHALL BE REQUIRED.TYP ALLOWABLE ATTACHMENTS TO UNDERSIDE OF P.T. SLAB

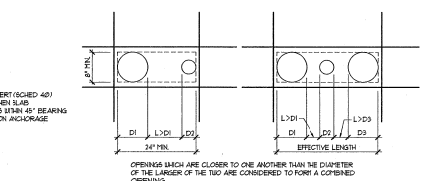
1 SECTION 1'-11"=1"



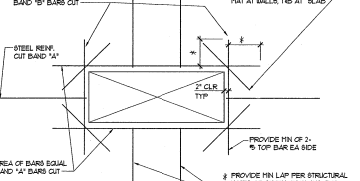
2 SECTION 1'-11"=1"



3 SECTION 1'-11"=1"

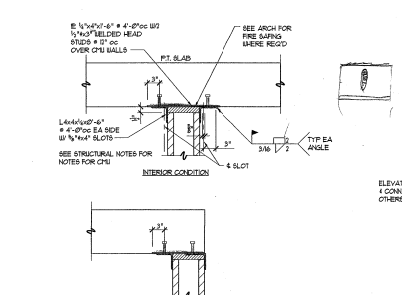


4 SECTION 1'-11"=1"

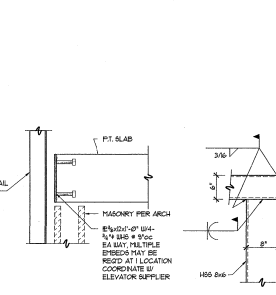


5 SECTION 1'-11"=1"

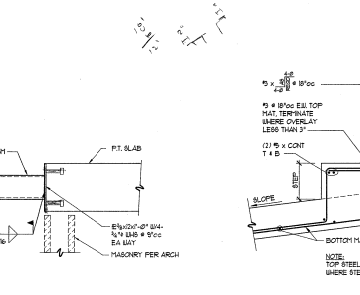
REINFORCEMENT AT ANCHORAGE ZONE PENETRATIONS



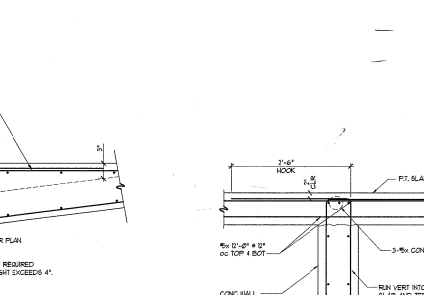
6 SECTION 1'-11"=1"



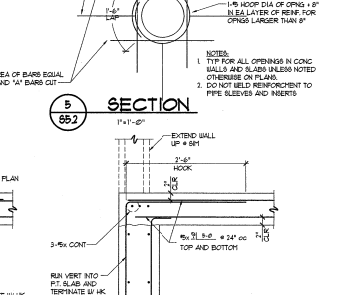
7 SECTION 1'-11"=1"



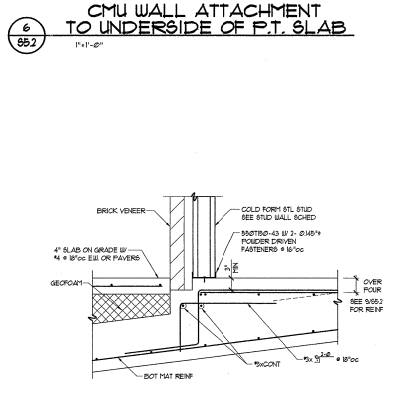
8 SECTION 1'-11"=1"



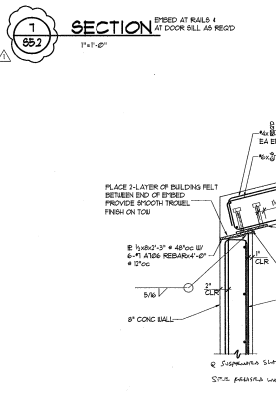
9 SECTION 1'-11"=1"



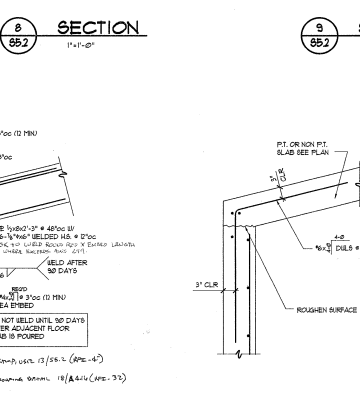
10 SECTION 1'-11"=1"



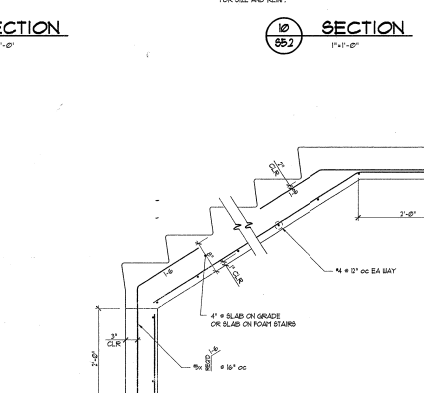
11 SECTION 1'-11"=1"



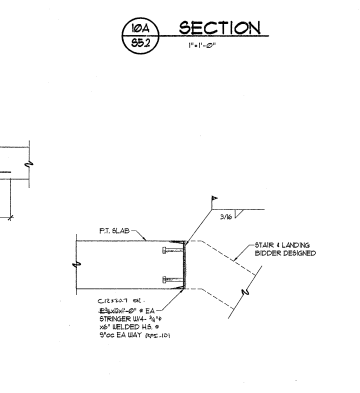
12 SECTION 1'-11"=1"



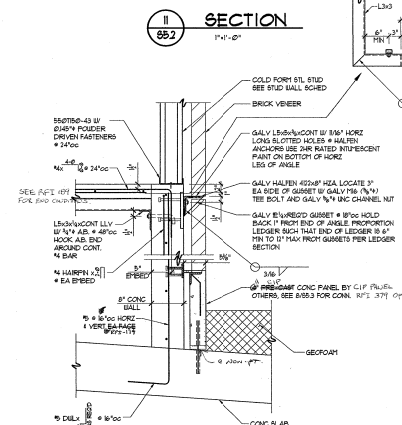
13 SECTION 1'-11"=1"



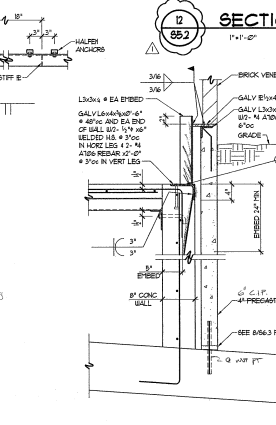
14 SECTION 1'-11"=1"



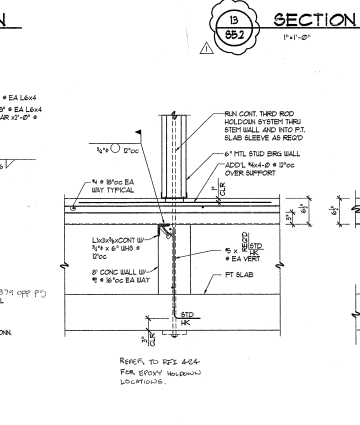
15 SECTION 1'-11"=1"



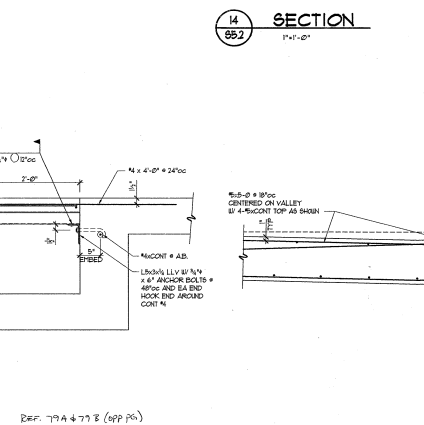
16 SECTION 1'-11"=1"



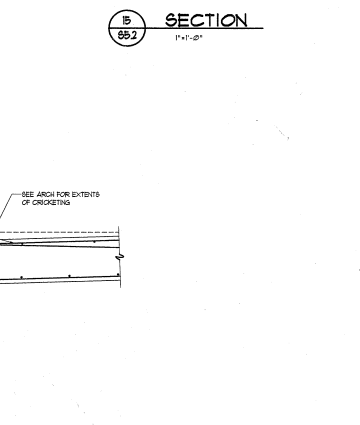
17 SECTION 1'-11"=1"



18 SECTION 1'-11"=1"



19 SECTION 1'-11"=1"



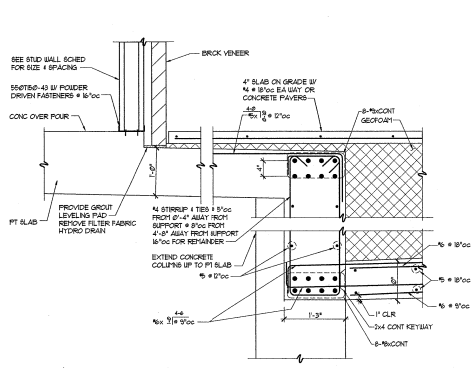
20 SECTION 1'-11"=1"

MARK	DATE
△	2-10-05
△	2-16-05
△	3-10-05

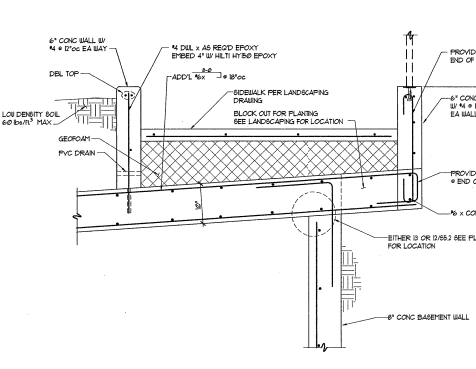
DATE: 03/10/05
JOB: 041100
FILE:
DRAWN: MS
CHECKED: DA

Copyright ANKROM MOISAN ASSOCIATED ARCHITECTS 2004

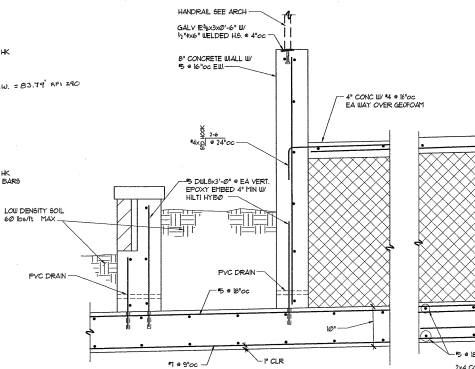
P.T. SLAB & GROUND FLR DETAILS



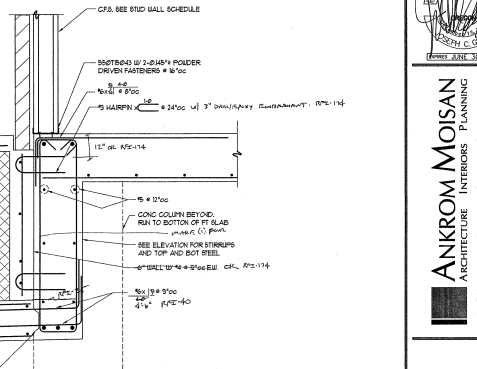
1 SECTION
55.3 1'-1'-0"



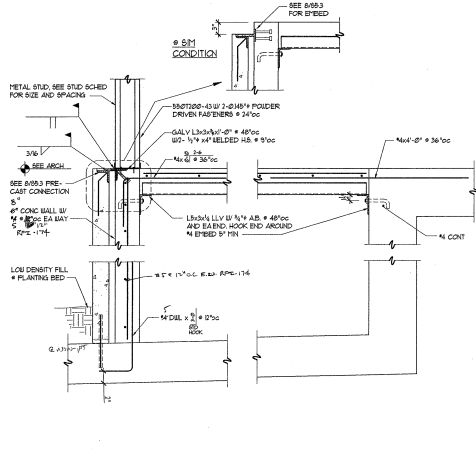
2 SECTION
55.3 1'-1'-0"



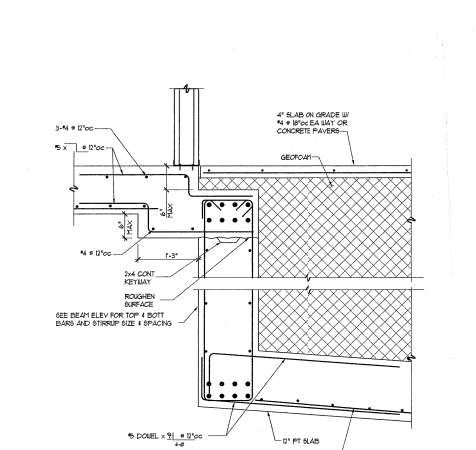
3 SECTION
55.3 1'-1'-0"



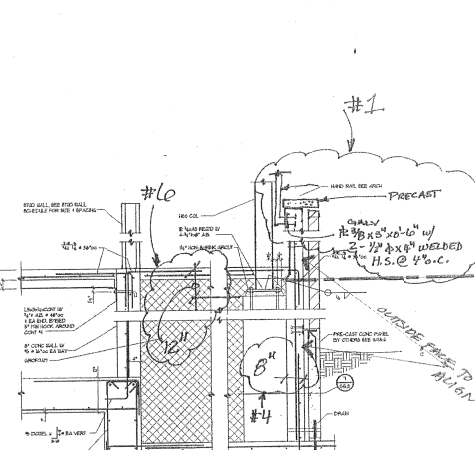
4 SECTION
55.3 1'-1'-0"



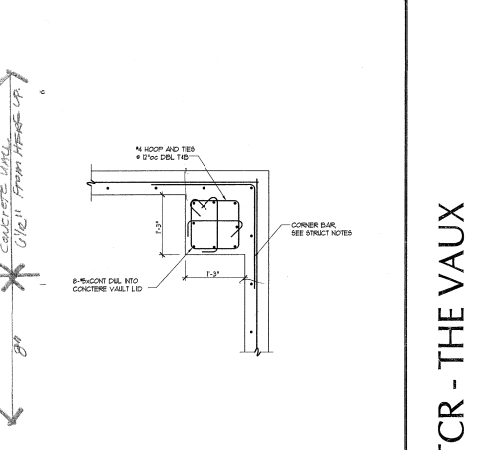
5 SECTION
55.3 1'-1'-0"



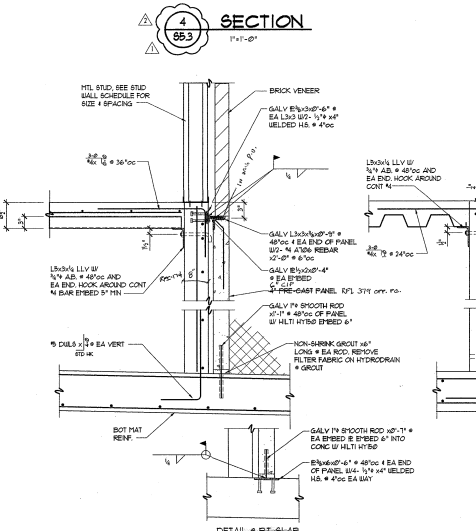
6 SECTION
55.3 1'-1'-0"



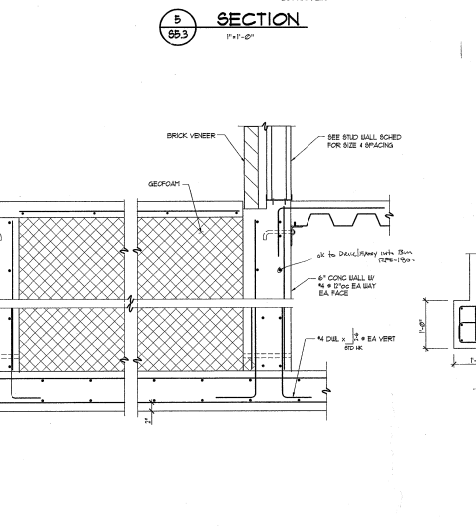
7 SECTION
55.3 1'-1'-0"



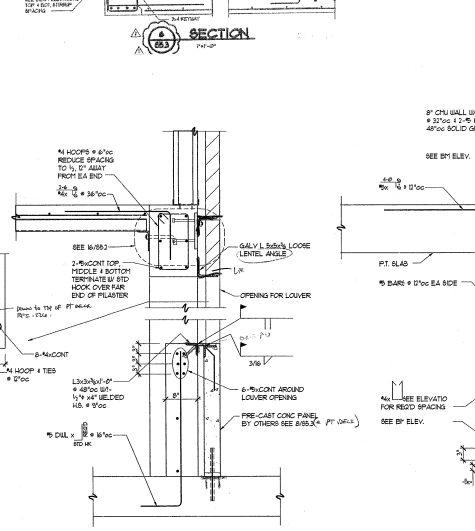
8 SECTION
55.3 1'-1'-0"



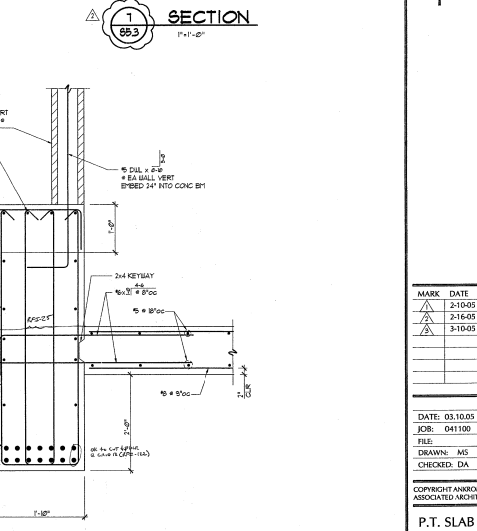
9 SECTION
55.3 1'-1'-0"



10 SECTION
55.3 1'-1'-0"



11 SECTION
55.3 1'-1'-0"



12 SECTION
55.3 1'-1'-0"

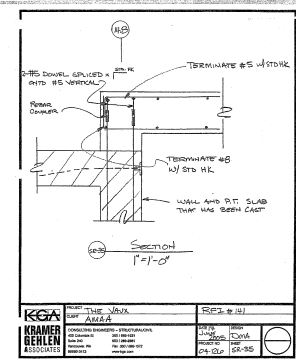
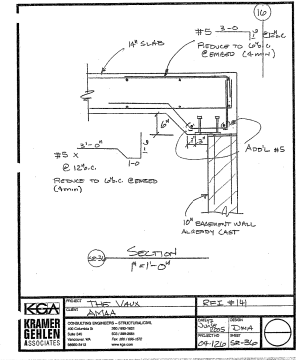
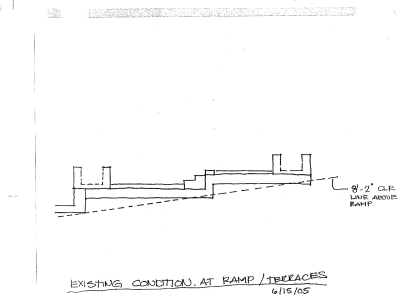
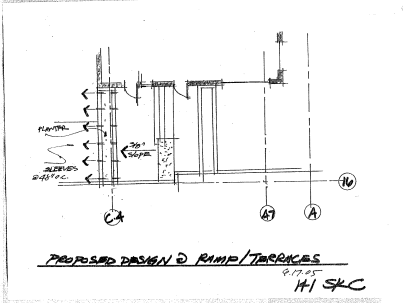
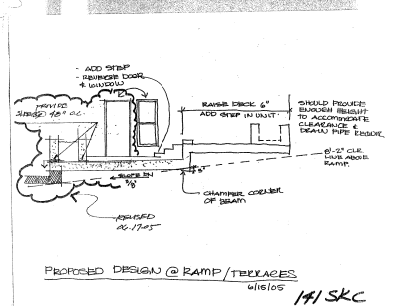
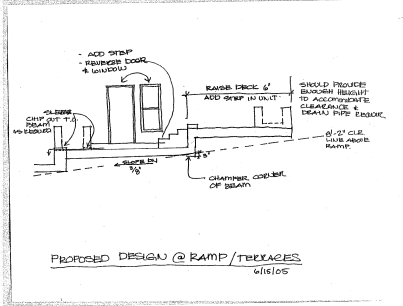
PRINTED ON: MAY 05, 2005 11:55AM, MONDAY 02-21-05
 XREF: TELX 1-051

MARK	DATE
▲	3-10-05
▲	3-14-05
▲	3-10-05

DATE: 03/10/05
 JOB: 041100
 FILE:
 DRAWN: MS
 CHECKED: DA

COPYRIGHT ANKRUM MOISAN ASSOCIATED ARCHITECTS 2004

P.T. SLAB & GROUND FLR DETAILS



Request For Information 056

TCR
TERRACE CONSULTANTS

Project:	TCR 056 Terrace Building on 17th	Project Number:	TCR 056-01
Client:	TCR 056 Terrace Building on 17th	Revision:	01
Issue Date:	06/16/05	Issue By:	SK
Issue To:	06/16/05	Issue To:	06/16/05
Issue By:	SK	Issue By:	SK
Issue To:	06/16/05	Issue To:	06/16/05

1. Review and provide answers to the questions listed below by the date specified in the schedule below.

2. Your answers should be clear and concise and should be in the form of a written report.

3. Your answers should be submitted to the project manager by the date specified in the schedule below.

4. Your answers should be submitted to the project manager by the date specified in the schedule below.

5. Your answers should be submitted to the project manager by the date specified in the schedule below.

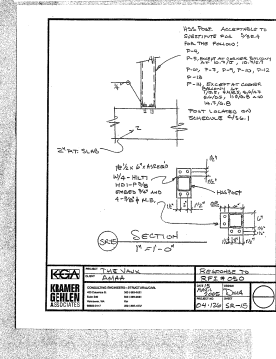
6. Your answers should be submitted to the project manager by the date specified in the schedule below.

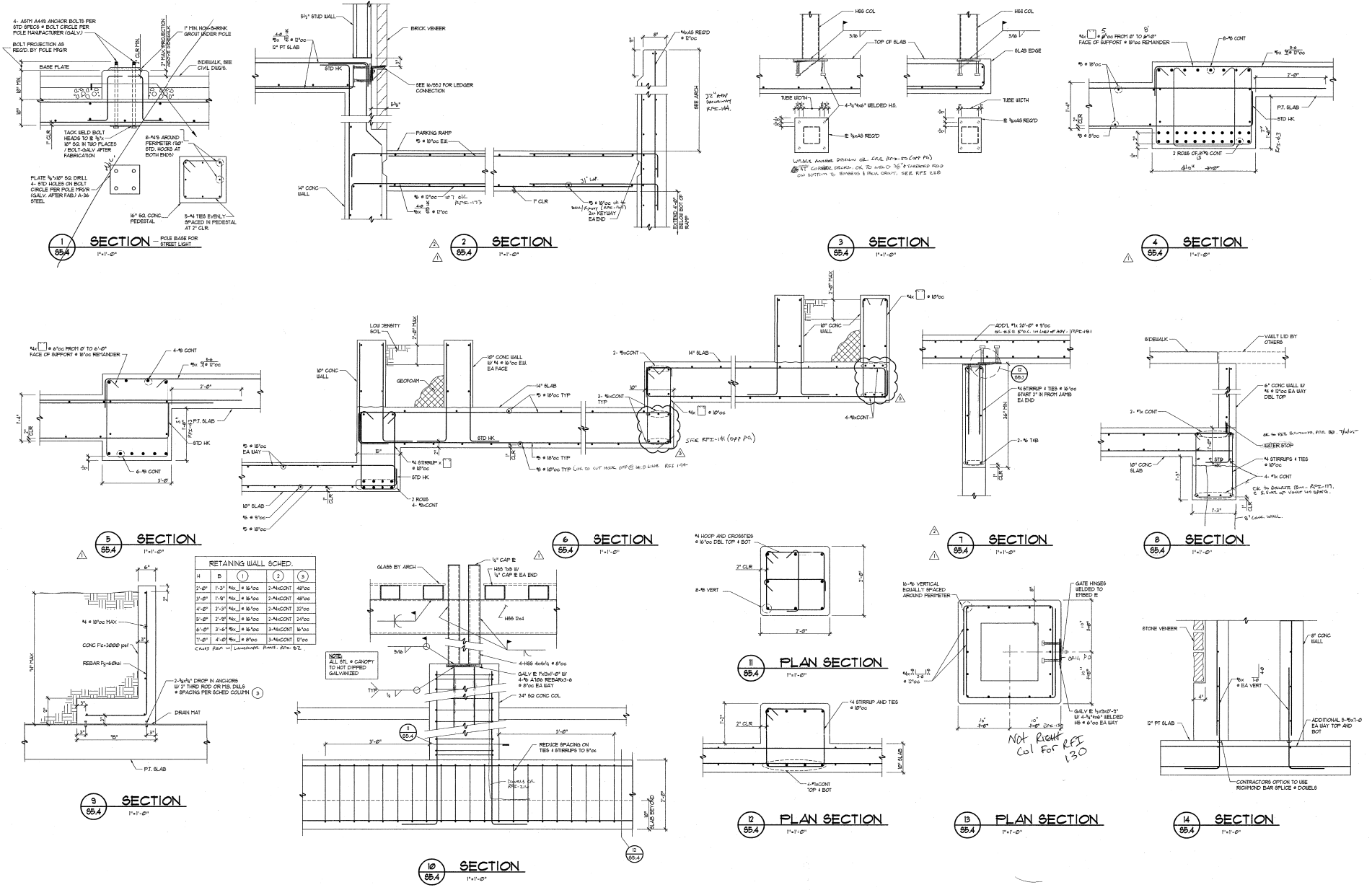
7. Your answers should be submitted to the project manager by the date specified in the schedule below.

8. Your answers should be submitted to the project manager by the date specified in the schedule below.

9. Your answers should be submitted to the project manager by the date specified in the schedule below.

10. Your answers should be submitted to the project manager by the date specified in the schedule below.





MARK	DATE
△	2-10-05
□	2-10-05
△	3-10-05

DATE: 03.10.05
JOB: 041100
FIR:
DRAWN: MS
CHECKED: DA

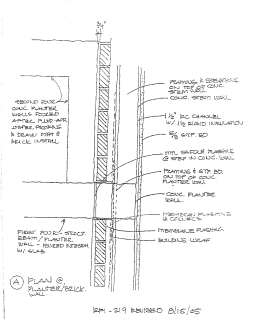
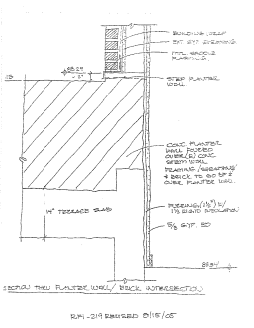
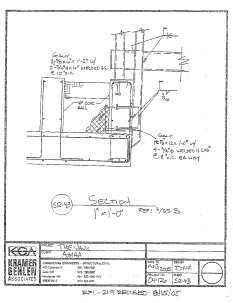
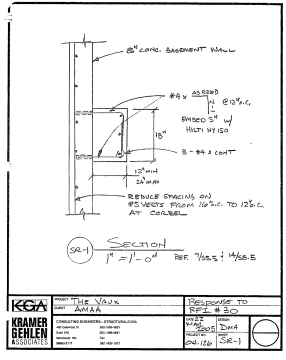
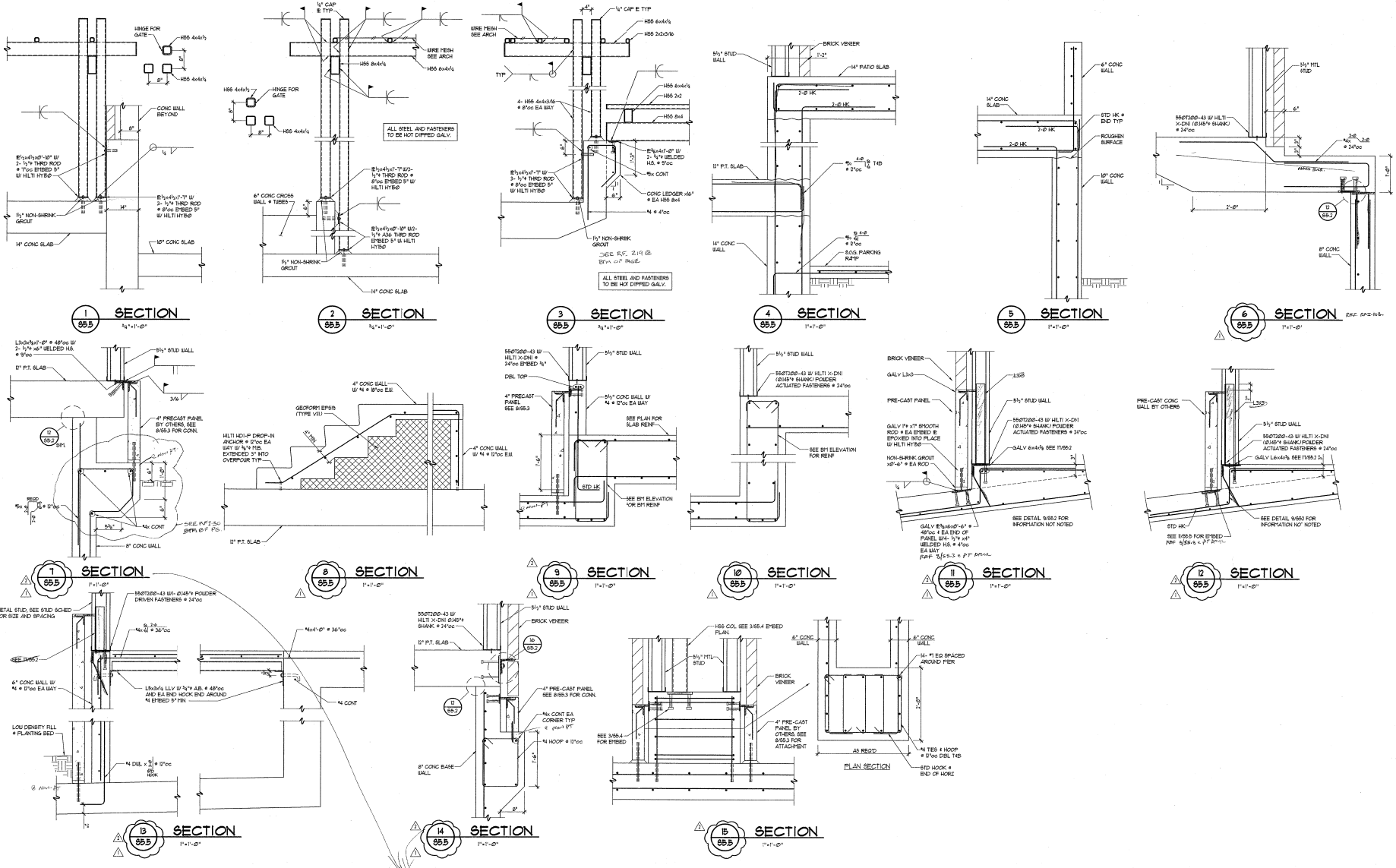
COPYRIGHT ANKOM MOISAN ASSOCIATED ARCHITECTS 2004

P.T. SLAB & GROUND FLR DETAILS



ANIKROM MOISAN
ARCHITECTURE INTERIORS PLANNING
DESIGN
305 S. W. 10th St.
MIAMI, FL 33130
PHONE: 305.255.7100 FAX: 305.452.2710 WWW.AMVA.COM

TCR - THE VAUX
TRAWELL CROW RESIDENTIAL



TCR		Request for Information 003	
NO.	DESCRIPTION	DATE	STATUS
1	REVISION		
2	REVISION		
3	REVISION		
4	REVISION		
5	REVISION		
6	REVISION		
7	REVISION		
8	REVISION		
9	REVISION		
10	REVISION		
11	REVISION		
12	REVISION		
13	REVISION		
14	REVISION		
15	REVISION		

MARK	DATE
△	3-10-05
△	3-16-05
△	3-10-05

DATE: 03.10.05
JOB: 041100
FILE:
DRAWN: MS
CHECKED: DA

Copyright Anikrom Moisan
Associated Architects LLP

WALL STUD SCHEDULE						
LEVEL	EXTERIOR WALLS		CORRIDOR WALLS		INTERIOR BEARING WALLS	
	ESI-1	ESI-2	CSI-1	ESI-1	ESI-2	ESI-3
ROOF TO 4TH FLR	3/4" x 8 GA EEEI STUDS @ 24"OC	3/4" x 8 GA EEEI STUDS @ 24"OC	400963-43 @ 24"OC	400963-43 @ 24"OC	400963-54 @ 24"OC	400963-54 @ 24"OC
4TH FLR TO 3RD FLR	3/4" x 8 GA EEEI STUDS @ 24"OC	3/4" x 8 GA EEEI STUDS @ 24"OC	400963-54 @ 24"OC	400963-43 @ 24"OC	400963-54 @ 24"OC	400963-54 @ 24"OC
3RD FLR TO 2ND FLR	3/4" x 8 GA EEEI STUDS @ 24"OC	3/4" x 8 GA EEEI STUDS @ 24"OC	400963-68 @ 24"OC	400963-54 @ 24"OC	400963-54 @ 24"OC	400963-68 @ 24"OC
2ND FLR TO GROUND FLR	3/4" x 8 GA EEEI STUDS @ 24"OC	3/4" x 8 GA EEEI STUDS @ 24"OC	400963-68 @ 24"OC	400963-68 @ 24"OC	400963-68 @ 24"OC	400963-68 @ 24"OC

- NOTE:
- PROVIDE STRAP BRACING FOR STUDS AT THIRD POINTS EA FLANGE PER A.66.2
 - EEEI STUDS TO BE SUPPLIED BY TRI-GROND STEEL SYSTEMS, INC.
 - EXTERIOR WALLS ARE TYPE ESI UNQ.
 - CORRIDOR WALLS ARE TYPE CSI UNQ.
 - INTERIOR BEARING WALLS ARE TYPE ESI UNQ.
 - TRACK TO MATCH STUD GAUGE OR IN GAUGE FINISH USE W/ACHIEVER RESULTS IN THE GREATER THICKNESS. (1/2" TRACK OR 1/4" UNQ.)
 - INTERIOR + CORRIDOR WALLS SET DOWN AS REG'D
 - STUDS + SHEARWALLS MUST ALSO MEET THE REQUIREMENTS OF THE SHEARWALL SCHEDULE SEE D.61.
 - STUDS TO ALIGN DIRECTLY ABOVE EACH OTHER FLOOR TO FLOOR (1/4" GA TRACK OR 1/2" UNQ.)

WALL STUD SCHEDULE

BEAM SCHEDULE	
TRAK	SIZE
B-1	(2) 6009320-54
B-2	(2) 4009320-54
B-3	(2) 4009320-68
B-4	(2) 4009320-54
B-5	(2) 4009320-68

- NOTE:
- SEE APPLICABLE DETAIL FOR BEAM CONSTRUCTION
 - CONNECT BACK-TO-BACK BEAMS 60" - 60" OR 80" OR SCORER @ 11"OC

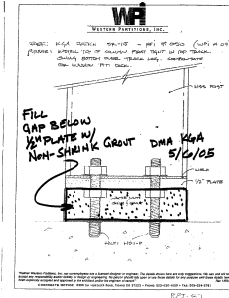
BEAM SCHEDULE

POST SCHEDULE															
MARK	LEVEL	P-1	P-2	P-3	P-4	P-5	P-6	P-7	P-8	P-9	P-10	P-11	P-12	P-13	
A	ROOF TO 4TH FLR						HSS 6x6x1/4						HSS 4x4x3/8	HSS 4x4x3/8	HSS 6x6x1/4
	4TH FLR TO 3RD FLR	2 BOVED 4009320-43	2 BOVED 4009320-44	3-5/1" x 8 GA 4009320-44	3-5/1" x 8 GA 4009320-44	HSS 4x4x3/8	HSS 6x6x1/4		HSS 6x6x1/4	2-5/8" x 8 GA EEEI STUDS			HSS 4x4x3/8	HSS 4x4x3/8	HSS 6x6x1/4
A	3RD FLR TO 2ND FLR	2 BOVED 4009320-54	2 BOVED 4009320-44	3-5/1" x 8 GA 4009320-44	3-5/1" x 8 GA 4009320-44	HSS 4x4x3/8	HSS 6x6x1/4		HSS 6x6x1/4	2-5/8" x 8 GA EEEI STUDS	HSS 6x6x3/8	HSS 5x5x1/4	4-5/8" x 8 GA EEEI STUDS	HSS 4x4x3/8	HSS 6x6x1/4
	2ND FLR TO GROUND FLR	2 BOVED 4009320-68	2 BOVED 4009320-44	3-5/1" x 8 GA 4009320-44	3-5/1" x 8 GA 4009320-44	HSS 4x4x3/8	HSS 6x6x1/4		HSS 6x6x1/4	2-5/8" x 8 GA EEEI STUDS	HSS 6x6x3/8	HSS 5x5x1/4	4-5/8" x 8 GA EEEI STUDS	HSS 4x4x3/8	HSS 6x6x1/4

- NOTE:
- EEEI STUDS TO BE SUPPLIED BY TRI-GROND STEEL SYSTEMS, INC.
 - CONNECT BOXED SECTIONS W/ 60" OR MATCHING POST GAUGE W/ (1/2" OR SCORER @ 24" OR 6" ON EDGE SEE RAFT 2.05 FOR CLARIFICATION)



POST SCHEDULE



SHEARWALL SCHEDULE						
MARK	SHEATING PANELS	STUD + TRACK MIN. THICKNESS (T/L)	TRACK FASTENERS*	INTERMEDIATE SUPPORTS	CONCRETE ANCHOR SPACING	CAPACITY (PLF)
A	SURE-BOARD 300 SERIES STRUCT PANELS ?	43	3/8" x 6"OC	3/8" x 6"OC	2 RODS 1/2" x 8"OC	4870C
A	SURE-BOARD 300 SERIES STRUCT PANELS ?	43	3/8" x 4"OC	3/8" x 6"OC	2 RODS 1/2" x 8"OC	4870C
A	SURE-BOARD 300 SERIES STRUCT PANELS ?	43	3/8" x 3"OC	3/8" x 6"OC	2 RODS 1/2" x 8"OC	4870C
A	SURE-BOARD 300 SERIES STRUCT PANELS ?	43	3/8" x 2"OC	3/8" x 6"OC	2 RODS 1/2" x 8"OC	4870C
A	SURE-BOARD 300 SERIES STRUCT PANELS ?	54	3/8" x 3"OC	3/8" x 6"OC	3 RODS 1/2" x 8"OC	6817
A	SURE-BOARD 300 SERIES STRUCT PANELS ?	54	3/8" x 2"OC	3/8" x 6"OC	3 RODS 1/2" x 8"OC	6817

- NOTE:
- CAPACITY VARIES WITH STUD BASE METAL GAUGE
 - PLACE WITH LONG DIMENSION PARALLEL TO STUD FRAMING; THE STEEL FACE MUST BE IN CONTACT WITH THE FRAMING. ALL PANEL EDGES MUST BE FULLY BLOCKED BY FRAMING STUDS AND ARE DOUBLED BACK TO BACK OF BEARING WALL OVER FRAMING SEE A.61.1. CONNECT DOUBLE STUDS WITH AT LEAST 1/8" MIN. SCORER AT TRACK SPACING PER THE TRACK FASTENING IN THE SCHEDULE
 - PROVIDE EDGE FASTENING AT ALL END STUD WALL TRACK AND TOP TRACK
 - SURE-BOARD SCREW HEADS MUST BE FLUSH WITH THE PANEL SURFACE AND PENETRATE INTO THE COLD FORMED STEEL FRAMING PERIOD BY AT LEAST 3 ENVELOPE THICKNESS FROM EDGE DISTANCE IS 1/2" SEE 8.6.2 FOR SHEARWALL FOOT PLATE ANCHORS + CONC SLAB
 - USE GRASSER SCORER FOR BRIMS
 - PRE-DRILL HOLES IN TOP TRACK AS REQ'D FOR SCORER TO RUN CONTINUOUS FROM TOP TRACK THRU FLOOR INTO BOTTOM TRACK
 - STUD AND TRACK THICKNESS TO BE THE GREATER OF SHEARWALL SCHEDULE OR STUD WALL SCHEDULE (1/4" GA TRACK OR 1/2" UNQ.)

SHEARWALL SCHEDULE



TCR - THE VAUX
TRANMELL CROW RESIDENTIAL

MARK	DATE
A	2-10-05
B	2-16-05
C	3-10-05

DATE: 03.10.05
JOB: 041103
FILE:
DRAWN: MS
CHECKED: DA

COPYRIGHT ANKROM MOISAN ASSOCIATED ARCHITECTS 2004

FRAMING & SHEARWALL SCHEDULES