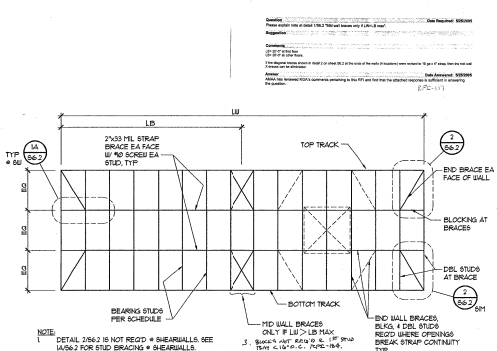




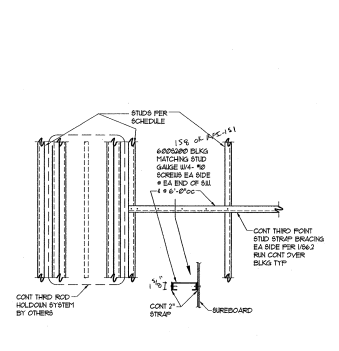
MARK	DATE
▲	2-10-05
▲	2-16-05
▲	3-10-05

DATE: 03.10.05  
JOB: 041100  
FILE:  
DRAWN: MS  
CHECKED: DA

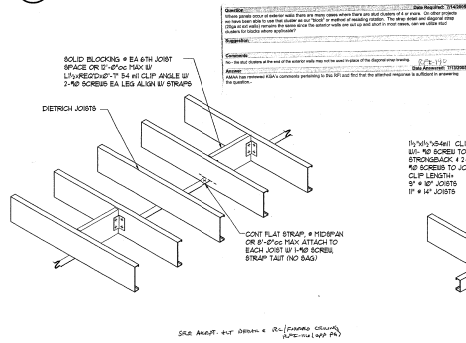
COPYRIGHT ANKROM MOISAN ASSOCIATED ARCHITECTS 2004



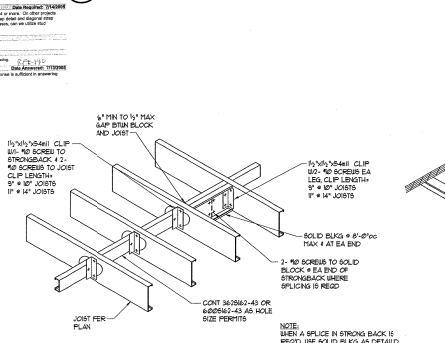
**1 STUD BRACING @ BEARING WALLS**  
NTS  
1/4" = 1'-0"



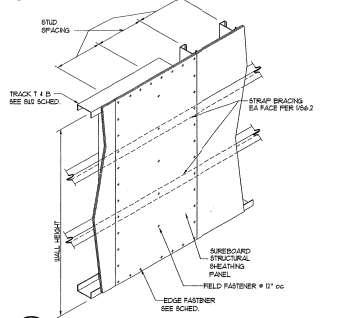
**2 STUD BRACING @ SHEARWALLS**  
NTS  
1/4" = 1'-0"



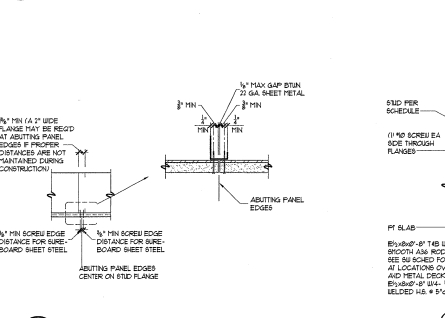
**3 TYP JOIST BRIDGING DETAIL**  
NTS  
1/4" = 1'-0"



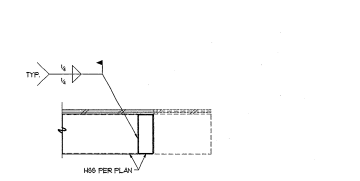
**4 STRONGBACK BRIDGING DETAIL**  
NTS  
1/4" = 1'-0"



**5 SHEARWALL DETAIL**  
NTS  
1/4" = 1'-0"



**6 SHEARWALL SECTION**  
NTS  
1/4" = 1'-0"



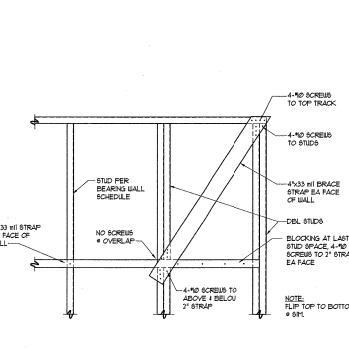
**7 SECTION**  
NTS  
1/4" = 1'-0"



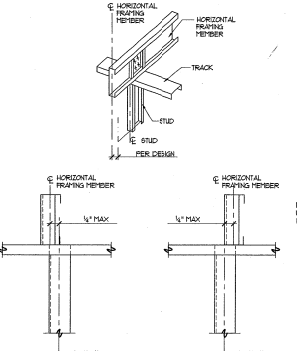
**8 SECTION**  
NTS  
1/4" = 1'-0"



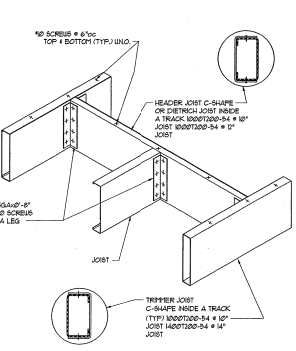
**9 SECTION**  
NTS  
1/4" = 1'-0"



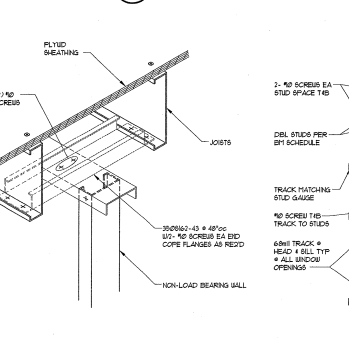
**10 SECTION**  
NTS  
1/4" = 1'-0"



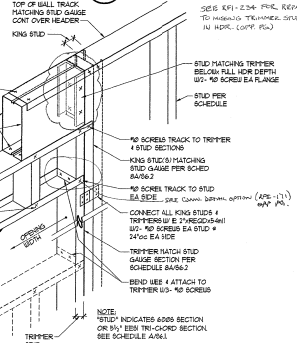
**11 SECTION**  
NTS  
1/4" = 1'-0"



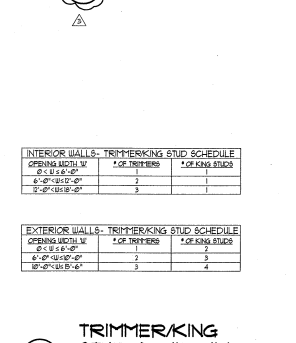
**12 SECTION**  
NTS  
1/4" = 1'-0"



**13 DETAIL**  
NTS  
1/4" = 1'-0"



**14 DETAIL**  
NTS  
1/4" = 1'-0"



**15 DETAIL**  
NTS  
1/4" = 1'-0"

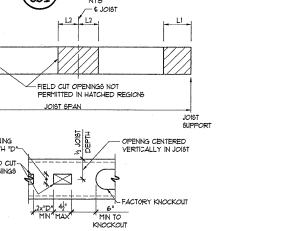
**INTERIOR WALLS - TRIMMER/KING STUD SCHEDULE**

OPENING WIDTH	# OF TRIMMERS	# OF KING STUDS
0" - 6" @ 6" - 0"	1	1
6" - 12" @ 6" - 0"	2	1
12" - 18" @ 6" - 0"	3	1

**EXTERIOR WALLS - TRIMMER/KING STUD SCHEDULE**

OPENING WIDTH	# OF TRIMMERS	# OF KING STUDS
0" - 6" @ 6" - 0"	2	3
6" - 12" @ 6" - 0"	3	3
12" - 18" @ 6" - 0"	4	4

**TRIMMER/KING STUD SCHEDULE**  
NTS  
1/4" = 1'-0"



**16 FIELD CUT HOLE DETAIL**  
NTS  
1/4" = 1'-0"

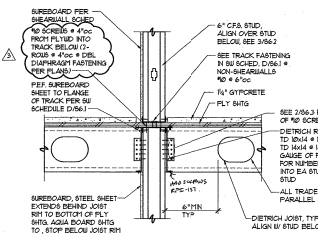
**FIELD CUT HOLE DETAIL**

	L1	L2	L3	L4	L5
TOTL END USE	25"	0'-0"	0'-0"	45"	0'-0"
TOTL END USE	25"	0'-0"	0'-0"	45"	0'-0"
TOTL END USE	65"	0'-0"	3'-0"	85"	NA*
TOTL END USE	65"	0'-0"	0'-0"	85"	0'-0"

NOTES:  
1. FIELD CUT OPENINGS MUST BE MADE WITH A PLUGGING CUTTER. TOUCH UP OPENINGS NOT PERMITTED IN THE STEEL. AROUND THE OPENING SHALL NOT BE DIRTAGED OR DISTURBED.  
2. NA INDICATES FIELD CUT HOLES NOT ALLOWED.  
3. IF FIELD CUT OPENING CAN NOT BE CENTERED VERTICALLY IN THE JOIST, A MIN OF 1/2" BETWEEN FLANGE & EDGE OF OPENING IS REQUIRED.  
4. NO MORE THAN 3 HOLES CUT IN JOIST.

**17 FIELD CUT HOLE DETAIL**  
NTS  
1/4" = 1'-0"



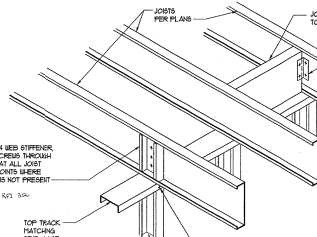
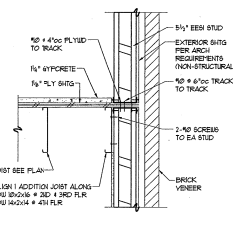


12\"/>	
No. OF NO. SCREWS	JOIST CLEAR SPAN (1\"/>
3	1'-0\"/>
4	1'-6\"/>
5	1'-9\"/>
6	1'-9\"/>
7	1'-9\"/>

No. OF NO. SCREWS	JOIST CLEAR SPAN (1\"/>
4	1'-6\"/>
5	1'-9\"/>
6	1'-9\"/>
7	1'-9\"/>

12\"/>	
No. OF NO. SCREWS EA STUD	JOIST CLEAR SPAN (FEET)
4	1'-0\"/>
5	1'-6\"/>
6	1'-9\"/>
7	1'-9\"/>
8	1'-9\"/>

No. OF NO. SCREWS EA STUD	JOIST CLEAR SPAN (FEET)
5	1'-6\"/>
6	1'-9\"/>
7	1'-9\"/>
8	1'-9\"/>



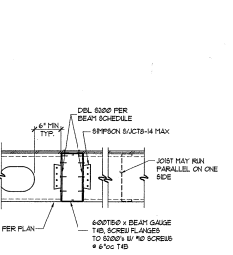
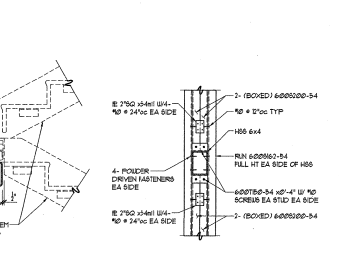
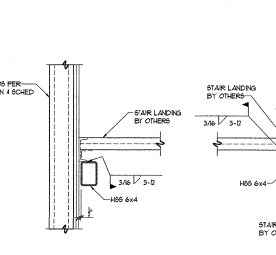
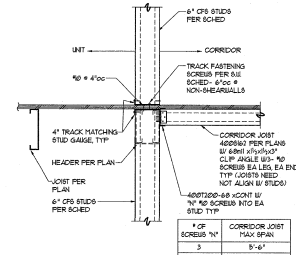
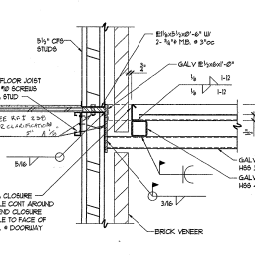
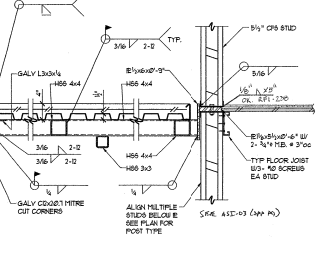
SECTION 1 1'-11\"/>

SECTION 2 12\"/>

SECTION 3 12\"/>

SECTION 4 1'-11\"/>

SECTION 5 1'-11\"/>



SECTION 6 1'-11\"/>

SECTION 7 1'-11\"/>

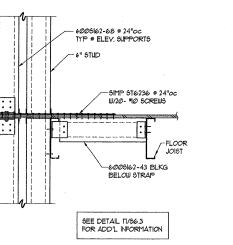
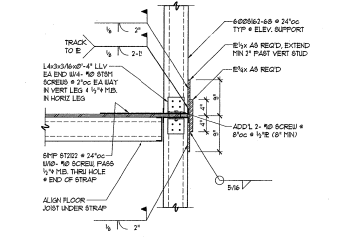
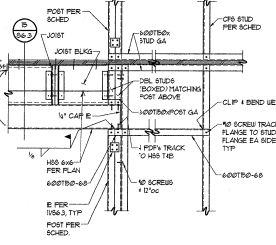
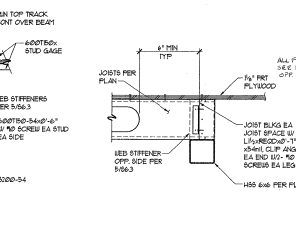
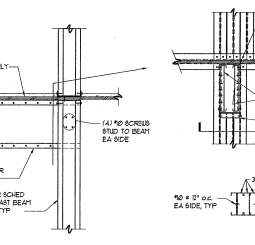
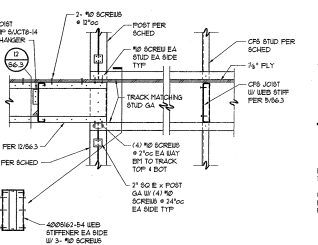
SECTION 8 1'-11\"/>

SECTION 9 1'-11\"/>

SECTION 10 1'-11\"/>

SECTION 11 1'-11\"/>

SECTION 12 1'-11\"/>



SECTION 13 1'-11\"/>

SECTION 14 1'-11\"/>

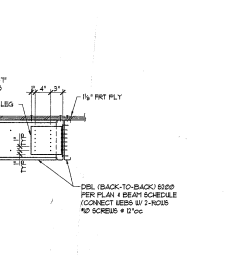
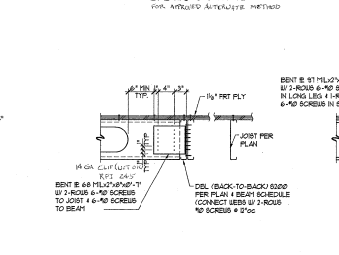
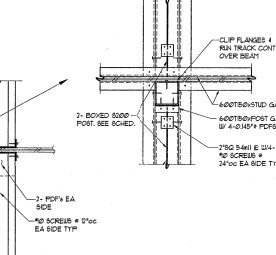
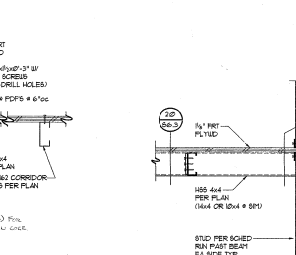
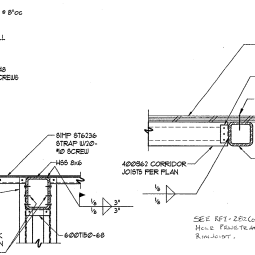
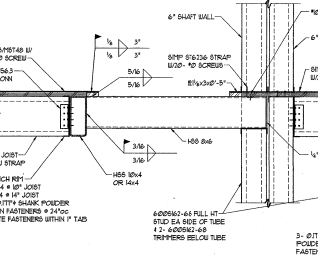
SECTION 15 1'-11\"/>

SECTION 16 1'-11\"/>

SECTION 17 1'-11\"/>

SECTION 18 1'-11\"/>

SECTION 19 1'-11\"/>



SECTION 19 1'-11\"/>

SECTION 20 10'-11\"/>

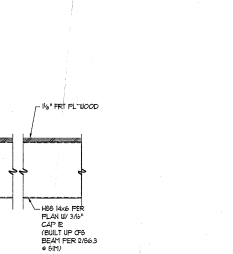
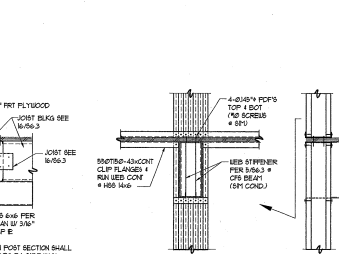
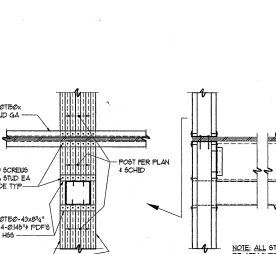
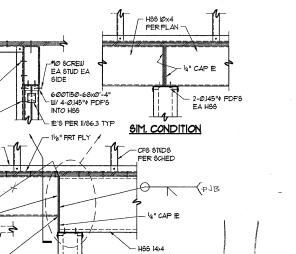
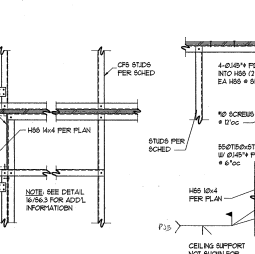
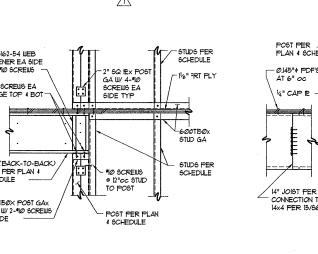
SECTION 21 10'-11\"/>

SECTION 22 1'-11\"/>

SECTION 23 1'-11\"/>

SECTION 24 1'-11\"/>

SECTION 25 1'-11\"/>



SECTION 25 1'-11\"/>

SECTION 26 1'-11\"/>

SECTION 27 1'-11\"/>

SECTION 28 1'-11\"/>

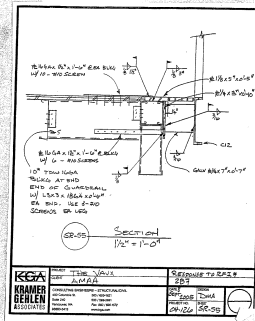
SECTION 29 1'-11\"/>

SECTION 30 1'-11\"/>

MARK	DATE
▲	2-10-05
▲	2-16-05
▲	3-10-05

DATE: 03.10.05  
 JOB: 041100  
 FILE:  
 DRAWN: MS  
 CHECKED: DA

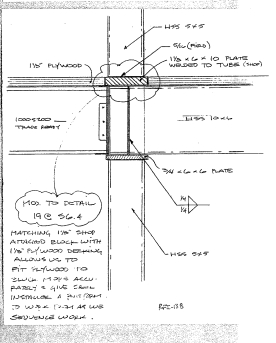
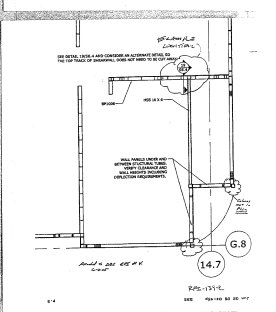
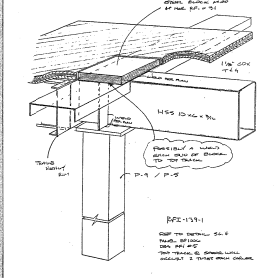
COPYRIGHT ANKROM MOISAN ASSOCIATED ARCHITECTS 2005



<b>KGA</b> <b>KRAMER</b> <b>BERLEN</b> ASSOCIATES	Drawn: [Name] Checked: [Name] Date: [Date]	Approved: [Name] Date: [Date]
	Project: [Project Name] Location: [Location]	Scale: [Scale]

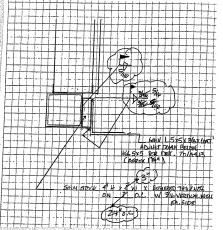
Request for Information 228

Item No.	Description	Response
1	...	...
2	...	...



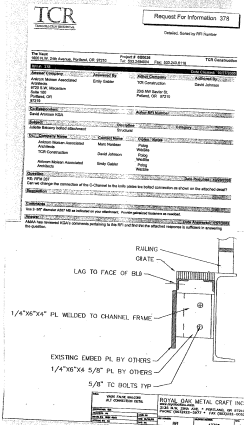
Request for Information 007

Item No.	Description	Response
1	...	...
2	...	...



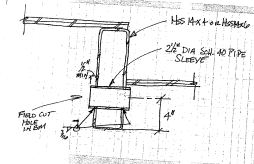
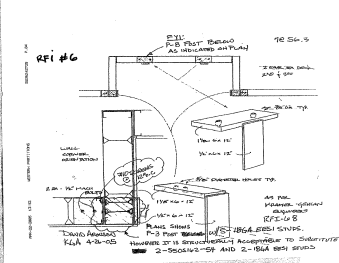
Request for Information 006

Item No.	Description	Response
1	...	...
2	...	...



Request for Information 001

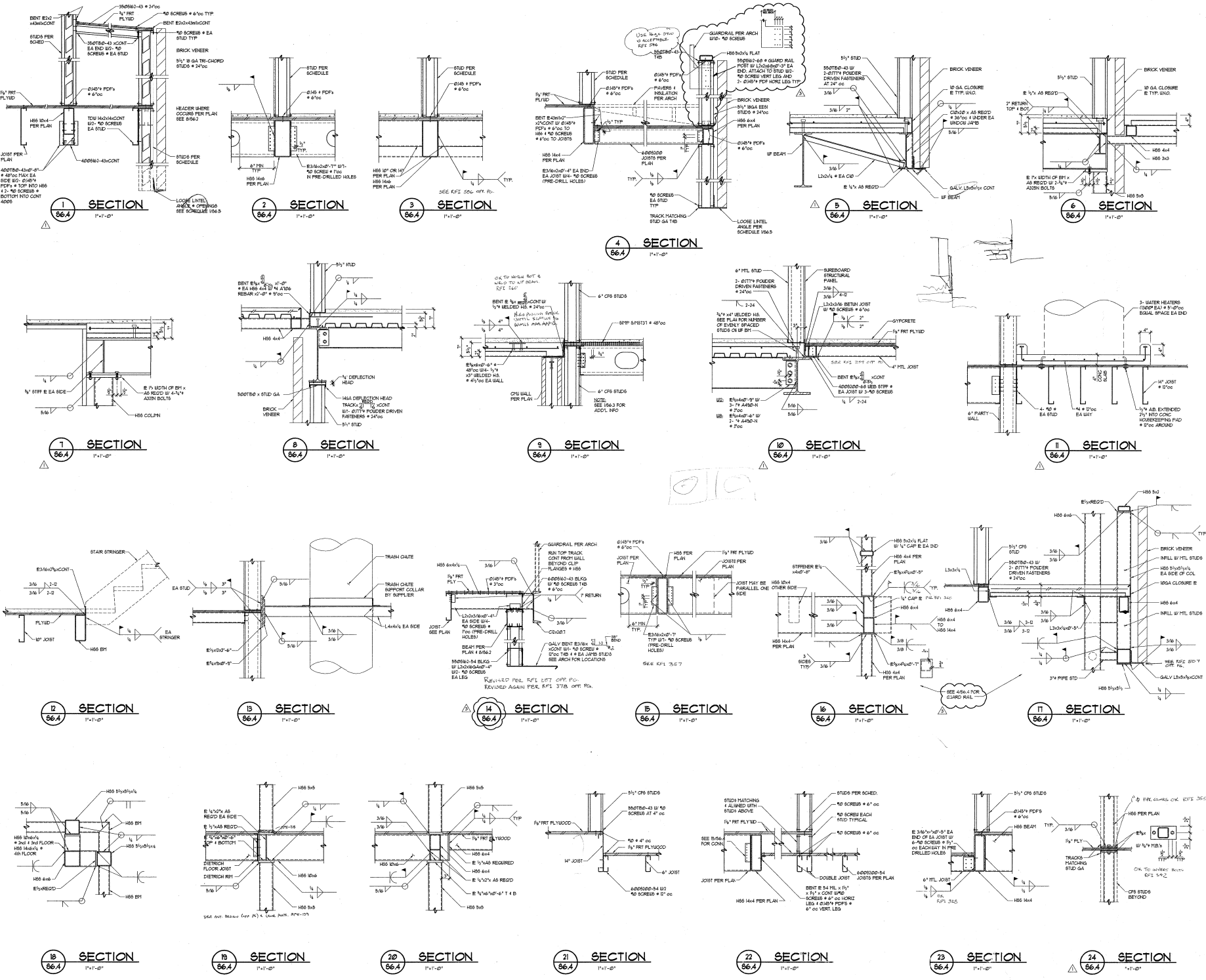
Item No.	Description	Response
1	...	...
2	...	...





**ANKOM MOISAN**  
 ARCHITECTURE INTERIORS PLANNING  
 6720 SW Macadamia, Suite 100, Portland, Oregon 97219  
 PHONE 503-245-7100 | FAX 503-245-7710 | WWW.AMK.COM

**TCR - THE VAUX**  
 TRAMMELL CROW RESIDENTIAL

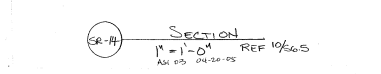
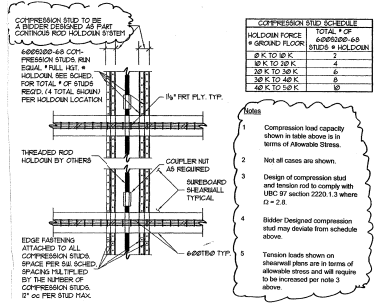
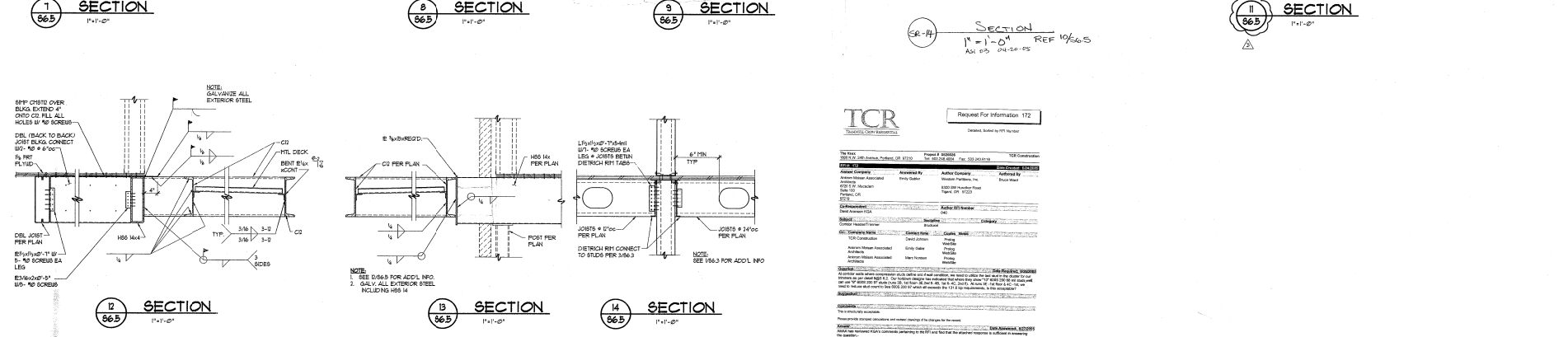
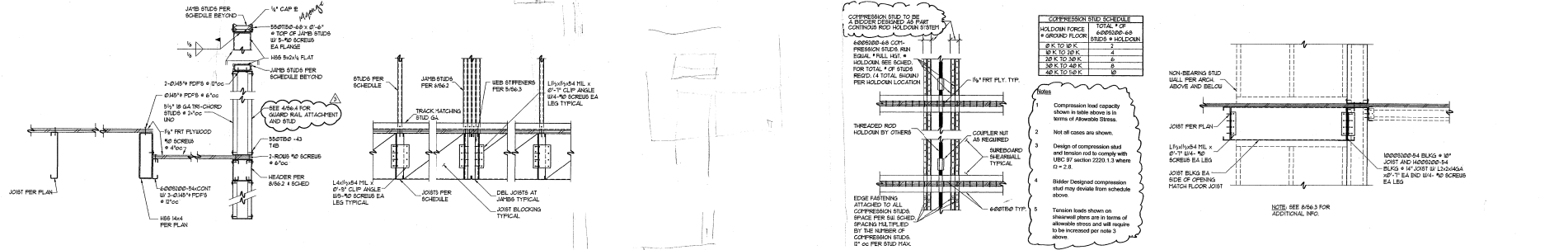
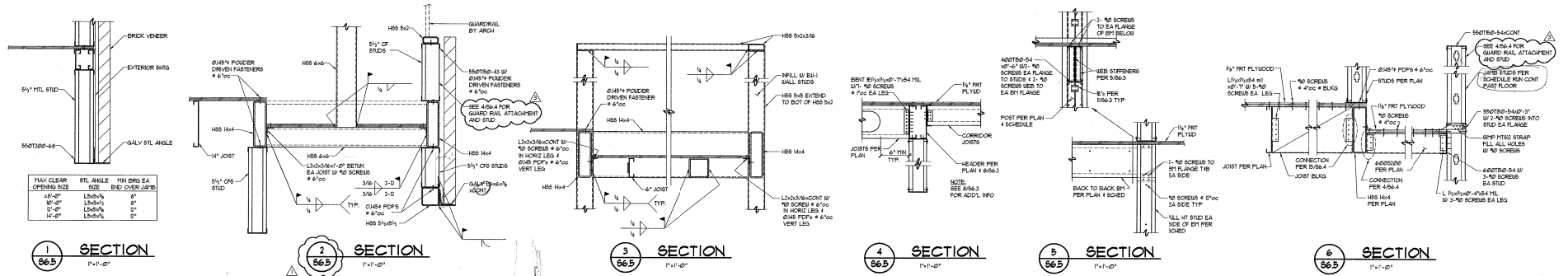


MARK	DATE
△	2-10-05
△	2-16-05
△	3-10-05

DATE: 03-10-05  
 JOB: 041100  
 FILE:  
 DRAWN: MS  
 CHECKED: DA

FRAMING DETAILS

Printed on: Mar 07, 2005 - 10:23am, Modified: 03-09-05  
 Project: 041100 - TCR



**TCR**  
Request for Information 172

Submitted by: [Name]

Date: [Date]

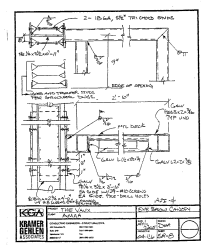
Project: [Project Name]

Location: [Location]

Drawn by: [Name]

Checked by: [Name]

Approved by: [Name]



MARK	DATE
▲	2-10-05
▲	2-15-05
▲	3-10-05

DATE: 03-10-05  
JOB: 041100  
FILE:  
DRAWN: MS  
CHECKED: DA

DATE: 03-10-05  
JOB: 041100  
FILE:  
DRAWN: MS  
CHECKED: DA

DATE: 03-10-05  
JOB: 041100  
FILE:  
DRAWN: MS  
CHECKED: DA

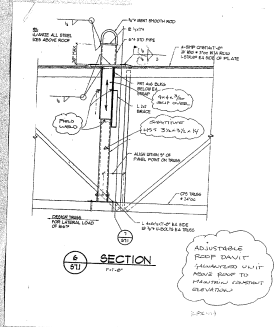
DATE: 03-10-05  
JOB: 041100  
FILE:  
DRAWN: MS  
CHECKED: DA

DATE: 03-10-05  
JOB: 041100  
FILE:  
DRAWN: MS  
CHECKED: DA

DATE: 03-10-05  
JOB: 041100  
FILE:  
DRAWN: MS  
CHECKED: DA

**TCR** Request For Information 403  
Details: See the RFQ Number

RFQ No.	002023-0000	RFQ Title	TCR
RFQ Description	TCR		
RFQ Status	Open	RFQ Expiration Date	2023-09-15
RFQ Type	RFQ	RFQ Category	TCR
RFQ Sub-Type	RFQ	RFQ Sub-Category	TCR
RFQ Sub-Sub-Category	RFQ	RFQ Sub-Sub-Category	TCR
RFQ Sub-Sub-Sub-Category	RFQ	RFQ Sub-Sub-Sub-Category	TCR
RFQ Sub-Sub-Sub-Sub-Category	RFQ	RFQ Sub-Sub-Sub-Sub-Category	TCR
RFQ Sub-Sub-Sub-Sub-Sub-Category	RFQ	RFQ Sub-Sub-Sub-Sub-Sub-Category	TCR

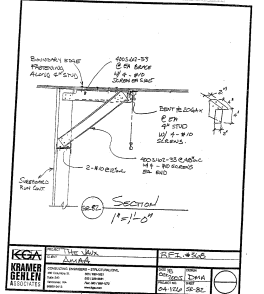
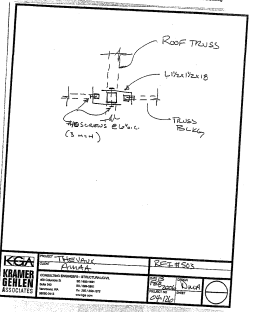


**TCR** Request For Information 303  
Details: See the RFQ Number

RFQ No.	002023-0000	RFQ Title	TCR
RFQ Description	TCR		
RFQ Status	Open	RFQ Expiration Date	2023-09-15
RFQ Type	RFQ	RFQ Category	TCR
RFQ Sub-Type	RFQ	RFQ Sub-Category	TCR
RFQ Sub-Sub-Category	RFQ	RFQ Sub-Sub-Category	TCR
RFQ Sub-Sub-Sub-Category	RFQ	RFQ Sub-Sub-Sub-Category	TCR
RFQ Sub-Sub-Sub-Sub-Category	RFQ	RFQ Sub-Sub-Sub-Sub-Category	TCR

**TCR** Request For Information 296  
Details: See the RFQ Number

RFQ No.	002023-0000	RFQ Title	TCR
RFQ Description	TCR		
RFQ Status	Open	RFQ Expiration Date	2023-09-15
RFQ Type	RFQ	RFQ Category	TCR
RFQ Sub-Type	RFQ	RFQ Sub-Category	TCR
RFQ Sub-Sub-Category	RFQ	RFQ Sub-Sub-Category	TCR
RFQ Sub-Sub-Sub-Category	RFQ	RFQ Sub-Sub-Sub-Category	TCR
RFQ Sub-Sub-Sub-Sub-Category	RFQ	RFQ Sub-Sub-Sub-Sub-Category	TCR



**TCR** Request For Information 407  
Details: See the RFQ Number

RFQ No.	002023-0000	RFQ Title	TCR
RFQ Description	TCR		
RFQ Status	Open	RFQ Expiration Date	2023-09-15
RFQ Type	RFQ	RFQ Category	TCR
RFQ Sub-Type	RFQ	RFQ Sub-Category	TCR
RFQ Sub-Sub-Category	RFQ	RFQ Sub-Sub-Category	TCR
RFQ Sub-Sub-Sub-Category	RFQ	RFQ Sub-Sub-Sub-Category	TCR

**TCR** Request For Information 360  
Details: See the RFQ Number

RFQ No.	002023-0000	RFQ Title	TCR
RFQ Description	TCR		
RFQ Status	Open	RFQ Expiration Date	2023-09-15
RFQ Type	RFQ	RFQ Category	TCR
RFQ Sub-Type	RFQ	RFQ Sub-Category	TCR
RFQ Sub-Sub-Category	RFQ	RFQ Sub-Sub-Category	TCR
RFQ Sub-Sub-Sub-Category	RFQ	RFQ Sub-Sub-Sub-Category	TCR

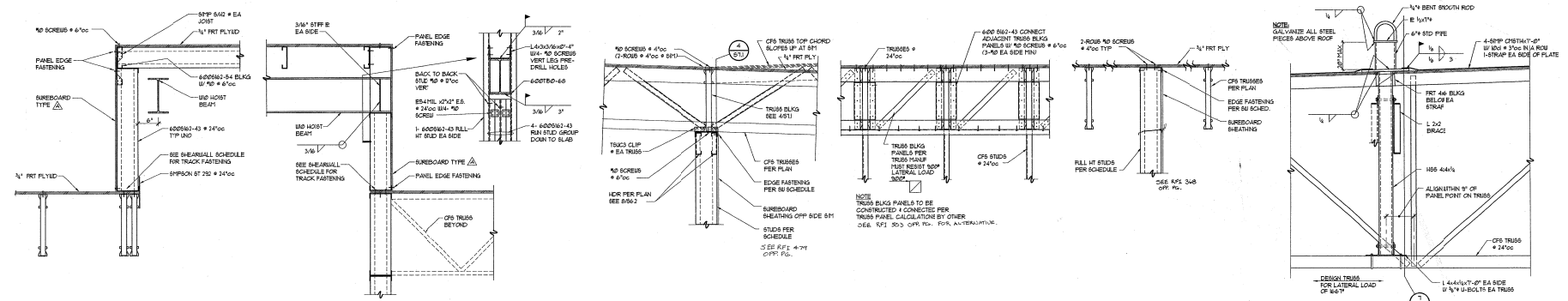
**TCR** Request For Information 478  
Details: See the RFQ Number

RFQ No.	002023-0000	RFQ Title	TCR
RFQ Description	TCR		
RFQ Status	Open	RFQ Expiration Date	2023-09-15
RFQ Type	RFQ	RFQ Category	TCR
RFQ Sub-Type	RFQ	RFQ Sub-Category	TCR
RFQ Sub-Sub-Category	RFQ	RFQ Sub-Sub-Category	TCR
RFQ Sub-Sub-Sub-Category	RFQ	RFQ Sub-Sub-Sub-Category	TCR

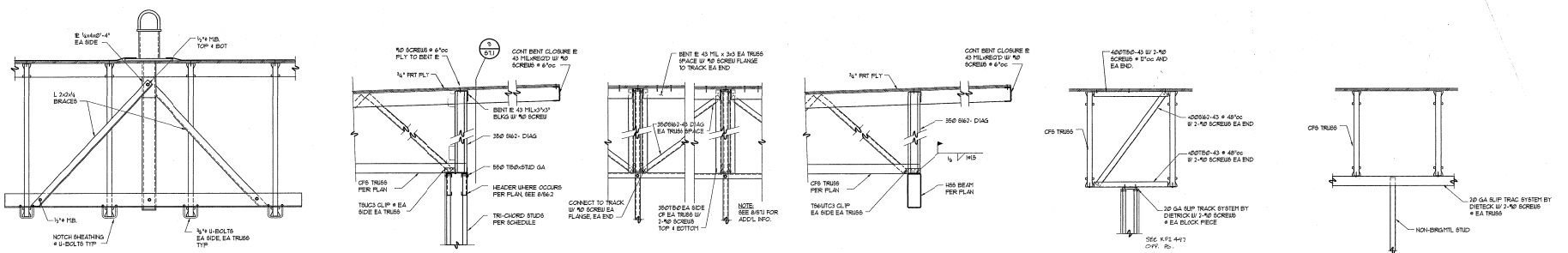
**TCR** Request For Information 483  
Details: See the RFQ Number

RFQ No.	002023-0000	RFQ Title	TCR
RFQ Description	TCR		
RFQ Status	Open	RFQ Expiration Date	2023-09-15
RFQ Type	RFQ	RFQ Category	TCR
RFQ Sub-Type	RFQ	RFQ Sub-Category	TCR
RFQ Sub-Sub-Category	RFQ	RFQ Sub-Sub-Category	TCR
RFQ Sub-Sub-Sub-Category	RFQ	RFQ Sub-Sub-Sub-Category	TCR

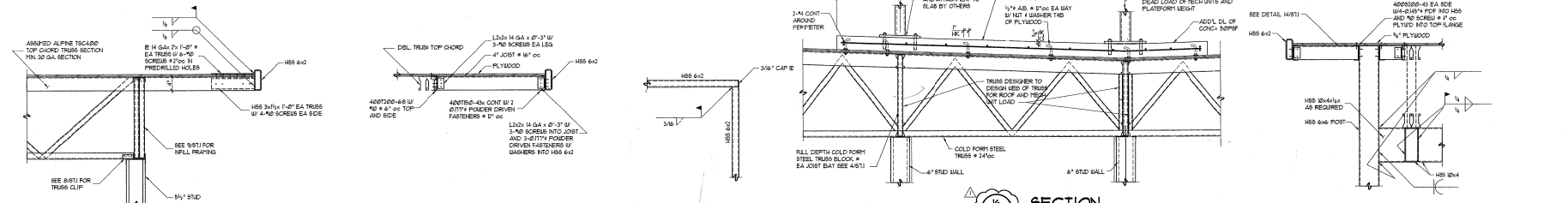




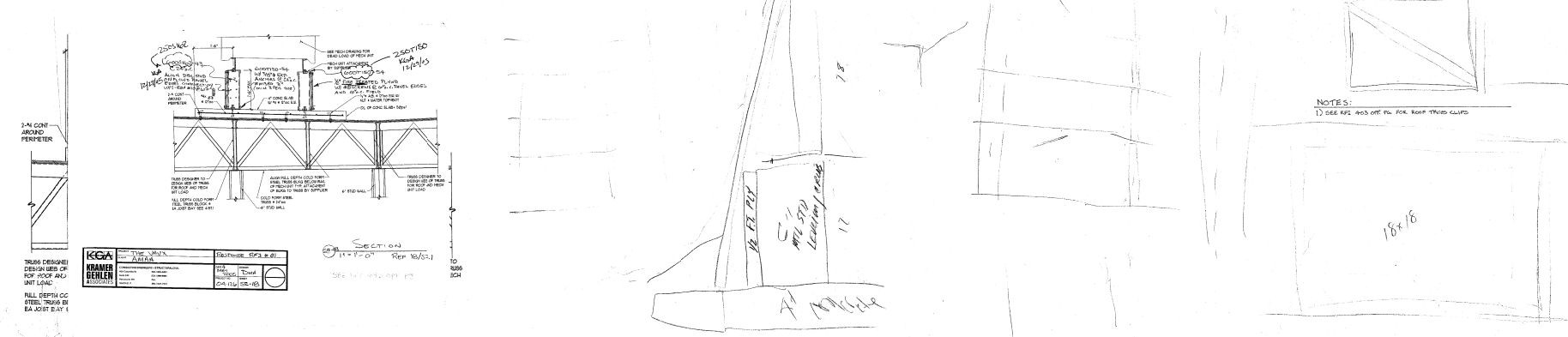
1 SECTION 1'-11"=1'-0" 2 SECTION 1'-11"=1'-0" 3 SECTION 1'-11"=1'-0" 4 SECTION 1'-11"=1'-0" 5 SECTION 1'-11"=1'-0" 6 SECTION 1'-11"=1'-0"



7 SECTION 1'-11"=1'-0" 8 SECTION 1'-11"=1'-0" 9 SECTION 1'-11"=1'-0" 10 SECTION 1'-11"=1'-0" 11 SECTION 1'-11"=1'-0" 12 SECTION 1'-11"=1'-0"



13 SECTION 1'-11"=1'-0" 14 SECTION 1'-11"=1'-0" 15 SECTION 1'-11"=1'-0" 16 SECTION 1'-11"=1'-0" 17 SECTION 1'-11"=1'-0"



18 SECTION 1'-11"=1'-0"

NOTES:  
 1) SEE KFS 403 OFF PL FOR ROOF TRUSS CALLS

ANKROM MOISAN ARCHITECTURE	PROJECT: TCR - THE VAUX	DATE: 03-10-05
DESIGNER: [Name]	DATE: 03-10-05	
CHECKER: [Name]	DATE: 03-10-05	
DATE: 03-10-05		

MARK	DATE
△	3-10-05
△	3-10-05
△	3-10-05
DATE:	03-10-05
JOB:	041100
FILE:	
DRAWN:	MS
CHECKED:	DA
COPYRIGHT ANKROM MOISAN ASSOCIATED ARCHITECTS 2004	
FRAMING DETAILS	