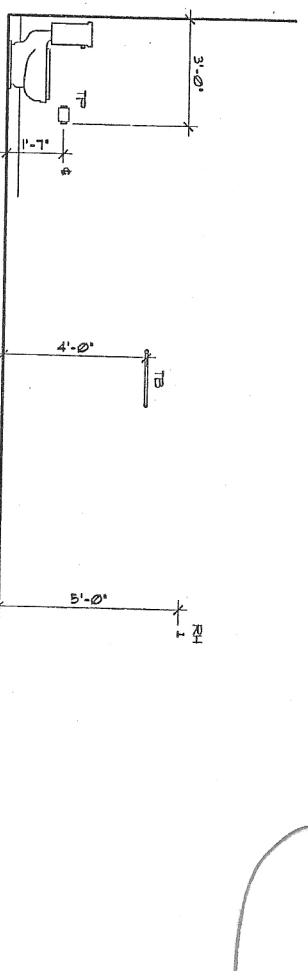


TYPICAL ADA FIXTURE MOUNTING HEIGHTS
3/8" = 1'-0"
 (BLOCKING ONLY IN BATHROOMS WHERE SHOWN IN ELEVATIONS)



It is likely there is NO BACKING AT BATH TYPE 1

SINCE IT IS NOT ADAPTIBLE.