

ELECTRICAL

Flush or Semi-Flush Mounting

# Saturn Pristine

**Intended Use**  
Provides general illumination in residential and light commercial applications. Ideal for use in dining areas, kitchens, bathrooms, foyers and hallways.

**Features**  
*Saturn* – Contemporary fixtures with brushed nickel on twin steel rings and finials. Durable, milk white acrylic diffuser provides wide spread, uniform illumination. Finials provide easy access and maintenance.

*Pristine* – Clean art deco fixtures with brushed nickel housing. Satin-etched glass diffuser provides wide spread, uniform illumination. Diffuser twist-locks into housing for a hardware free look and provides easy access and maintenance.

Includes 26W 3500K double twin tube compact fluorescent lamp(s) for energy efficiency, superior color rendering and long life.

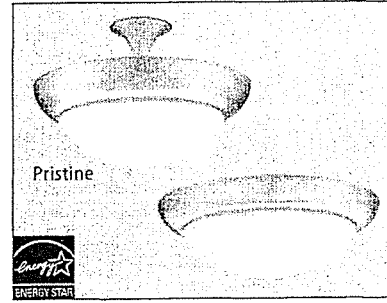
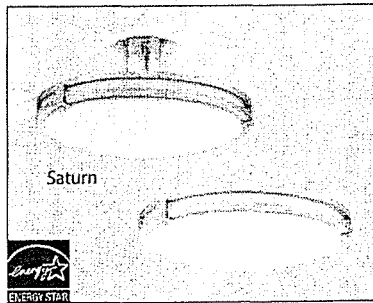
Residential-grade electronic ballast (120V, 60Hz) ensures no flickering and quiet operation without interfering with other home electronics.

All mounting hardware included.

ENERGY STAR® qualified.

**Listings**

UL Listed to US and Canadian safety standards.



**Ordering Information**

Example: 11750 BN

	Model number <sup>1,2</sup>
<u>Saturn</u>	
11750 BN	13" diameter, (1) 26W DTT lamp
11752 BN	16" diameter, (2) 26W DTT lamps
<u>Pristine</u>	
11734 BN	14" diameter, (1) 26W DTT lamp
11736 BN	16½" diameter, (2) 26W DTT lamps

**Availability and Dimensions**

Description	Model number	Number of lamps <sup>1</sup>	Diameter in. (cm)	Flush depth* in. (cm)	Semi-flush depth* in. (cm)
13" Saturn	11750 BN	(1) 26W DTT (G24q-3)	12½ (31.8)	2½ (7.3)	8¼ (21.0)
16" Saturn	11752 BN	(2) 26W DTT (G24q-3)	16 (40.6)	3⅞ (7.9)	8½ (21.6)
14" Pristine	11734 BN	(1) 26W DTT (G24q-3)	14 (35.6)	4½ (11.4)	10½ (26.6)
16½" Pristine	11736 BN	(2) 26W DTT (G24q-3)	16½ (41.9)	5 (12.7)	10¾ (27.3)

\* Extension from ceiling.

**NOTES:**

- 1 3500K compact fluorescent double twin tube lamps included.
- 2 For use with non-dimmable switches only.

# C242UNVxxx

## APPLICATION and PERFORMANCE SPECIFICATION

Description: Electronic compact fluorescent ballast(s) for (2/1)CFM42W/GX24q, (2)FC12T5-40W, (2/1)CFM36W/2G10, (2)CFTR32W/GX24q, (2)CFS28W/GR10q, (2)CFQ/TR26W/GX24q, (2)FT24W/G11, (2)FC9T5-22W, (1)FT55W/2G11, (1&1)FC9T5-22W & FC12T5-40W, (1)CFM57W/GX24q 4-pin lamps, (1)FC12T5-55W, (1)CFM70W/Gx24q, (2) FT36W/2G11

- Line Voltage: 120vac to 277vac, ±10%, 50-60Hz
- High Power Factor

- Programmed Rapid Start
- Series Lamp Connection

Model	Line Volts	Lamp		Input Watts*	Nominal Line Amps	Ballast Factor	Power Factor	THD	Crest Factor
		Type	#						
C242UNVxxx	120	CFM42W	2	91	0.76	.98	> 0.98	< 10%	<1.6
	277		2	90	0.32	.98	> 0.98	< 10%	<1.6
C242UNVxxx	120	CFM42W	1	45	0.40	1.00	> 0.93	< 10%	<1.6
	277		1	45	0.18	1.00	> 0.93	< 10%	<1.6
C242UNVxxx	120	CFM57W	1	58	0.52	1.00	> 0.98	< 10%	<1.6
	277		1	57	0.21	1.00	> 0.98	< 10%	<1.6
C242UNVxxx	120	CFM70W	1	73	0.61	1.00	> 0.98	< 10%	<1.6
	277		1	72	0.27	1.00	> 0.95	< 10%	<1.6
C242UNVxxx	120	FC12T5-40W	2	80	0.65	.98	> 0.98	< 10%	<1.6
	277		2	79	0.29	.98	> 0.98	< 10%	<1.6
C242UNVxxx	120	CFM36W/2G10	2	68	0.57	.90	> 0.95	< 10%	<1.7
	277		2	67	0.25	.90	> 0.95	< 10%	<1.7
C242UNVxxx	120	CFM36W/2G10	1	33	0.28	.98	> 0.99	< 15%	<1.7
	277		1	33	0.14	.98	> 0.90	< 15%	<1.7
C242UNVxxx	120	CFTR32W	2	69	0.58	1.00	> 0.98	< 10%	<1.6
	277		2	67	0.26	1.00	> 0.98	< 10%	<1.6
C242UNVxxx	120	CFS28W	2	64	0.54	1.00	> 0.97	< 10%	<1.6
	277		2	63	0.24	1.00	> 0.97	< 10%	<1.6
C242UNVxxx	120	CFQ/TR26W	2	55	0.46	1.02	> 0.95	< 10%	<1.6
	277		2	55	0.20	1.02	> 0.95	< 10%	<1.6
C242UNVxxx	120	FT36W/2G11	2	64	0.43	.83	> 0.99	< 10%	<1.7
	277		2	64	0.19	.83	> 0.97	< 10%	<1.7
C242UNVxxx	120	FT24W/2G11	2	51	0.43	1.02	> 0.95	< 10%	<1.7
	277		2	50	0.19	1.02	> 0.95	< 10%	<1.7
C242UNVxxx	120	FT55W/2G11	1	46	0.38	.83	> 0.99	< 10%	<1.7
	277		1	46	0.17	.83	> 0.95	< 10%	<1.7
C242UNVxxx	120	FC9T5-22W	2	50	0.42	1.05	> 0.95	< 10%	<1.7
	277		2	50	0.19	1.05	> 0.95	< 10%	<1.7
C242UNVxxx	120	FC9T5-22W & FC12T5-40W	1 & 1	66	0.54	.98	> 0.97	< 10%	<1.7
	277		1 & 1	64	0.24	.98	> 0.97	< 10%	<1.7
C242UNVxxx	120	FC12T5-55W	1	44	0.36	.83	> 0.99	< 10%	<1.7
	277		1	43	0.17	.83	> 0.93	< 10%	<1.7

\* ANSI measured wattage; 25°C ambient; benchtop; lamps base up  
Application and Performance Specification Information Subject to Change without Notification

### Performance:

- Meets ANSI Standard C82.11
- Meets FCC Part 18 (Non-Consumer), Limits for EMI/RFI
- Operating Frequency Range: 40-50 kHz
- Auto-Reset Shutdown Circuit per NEMA Recommendations
  - Both lamps should be replaced at end of life
  - Lamps relight upon insertion in socket.
- Suitable for use in air handling spaces when NEC wiring guidelines are followed

### Safety:

- No PCB's
- UL listed (Class P)
  - Type 1 Outdoor, Type CC, Type HL
- CSA Certified

### Application:

- Minimum Starting Temperature: 0° F, -18° C
- Maximum Ambient Temperature: 122° F, 50° C
- Maximum Case Temperature (@ I<sub>a</sub>): 167° F, 75° C
- Sound Rated: A
- Lead configuration:
  - xxx = SE - Side Exit
  - or BE - Bottom Exit
  - or BES - Bottom Exit with Studs (2" on center)
- Remote Mounting: 12 feet
- 42W applications also operate on 125VDC input, (+)L (-)N

### Physical Parameters

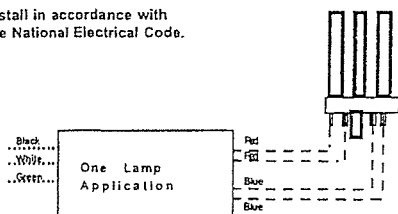
- Overall Length: 4.94"
- Width: 2.98"
- Mounting: 4.61"
- Height: 1.00"
- Weight: 0.9 lbs.
- Qty/Carton: 20
- Color: SE-White, BE/BES-Black
- Can Material: Metal

### Warranty:

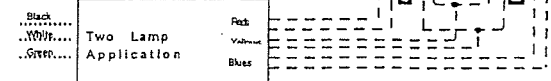
Universal Lighting Technologies warrants to the purchaser that each electronic ballast will be free from defects in material or workmanship for a period of 5 years from date of manufacture when properly installed and under normal conditions of use. Call 1-800-BALLASTx800 for technical assistance.

Manufactured in North America

Install in accordance with the National Electrical Code.




Ballast has plug in wire trap connectors. Use 18 AWG solid copper wire, stripped to 3/8". Ballast Must be Grounded. Use External Ground Wire.





GE Lighting Interactive Catalog

Subcategory Double BIAx® / 4-Pin

Product Code 35248 

Description F26DBXT4/SPX35/4P

Bulb DBX

Base G24q-3

Watts 26

Lumens (Initial) 1710

Lumens (Mean) 1460

Average Life Hours 10000

Additional Information RE 835 Phosphor

Case Quantity 50

Nominal Length (In.) 6.4

Color Temperature (K) 3500

CRI 82

Min. Start Temp (°F) 32F

Power Factor

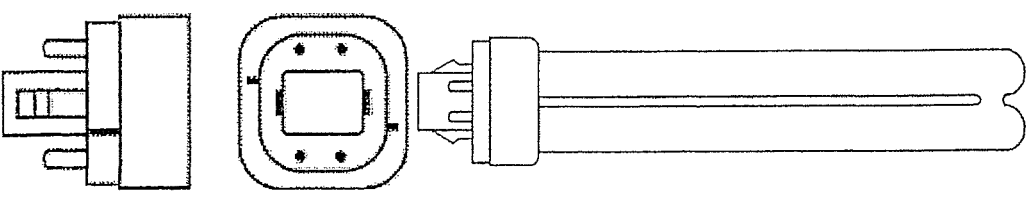
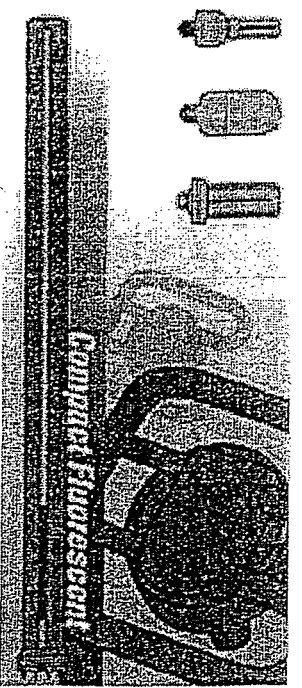
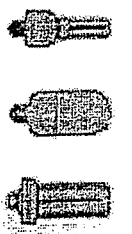
(Vc) (0)

THD

Footnotes Fluorescent lamp lumens decline during life.

Based on 60Hz reference circuit.

4-Pin lamp minimum starting temperature is a function of the ballast. Most ballasts are rated with a minimum starting temperature of 50° F (10° C). Ballasts are also available that provide reliable starting to 0° F (-18° C) and -20° F (-29° C).



Reduced Wattage

 High Color Rendering

To convert inches to millimeters, multiply by 25.4

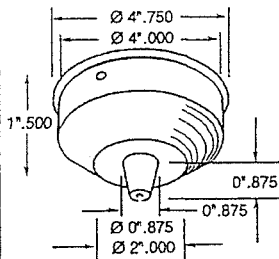
*Verita*

**SHADE STYLE : PS 027**

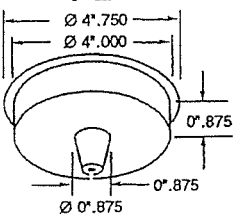
**EXTENSION ELEMENTS**

**CANOPIES**

**P1**

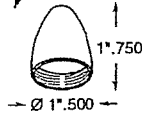


**P2**

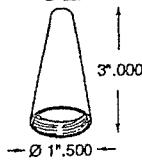


**DECORATIVE CONES**

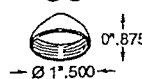
**C1**



**C2**



**C3**



**LAMP TYPE**

1A : BI-PIN GY 6.35  
50W max (included)

2B : G9

**CORD 72"**

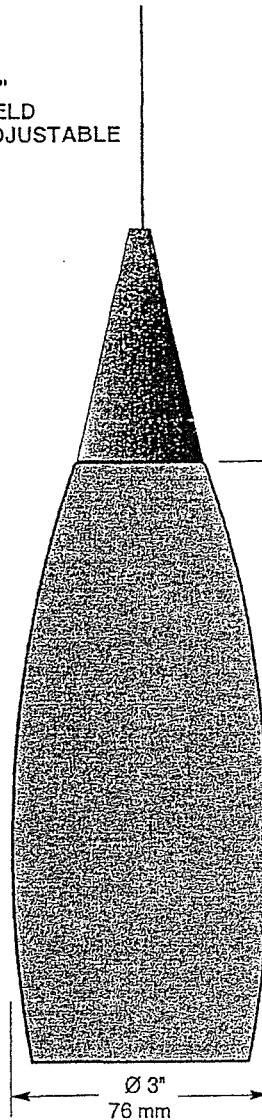
CO : Coaxial Cord  
BL : Black Cord  
WH : White Cord

\*Custom lengths available  
max. 12 feet

**STEM**

06 : 6"      24 : 24"  
12 : 12"    36 : 36"  
18 : 18"    48 : 48"

72"  
FIELD  
ADJUSTABLE



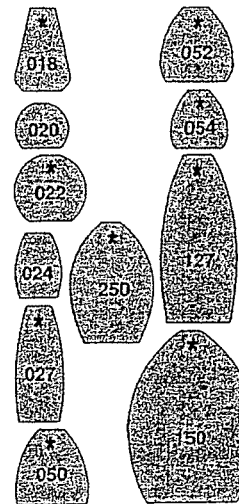
**DESCRIPTION**  
VERITA SERIES HAND BLOWN  
GLASS MONO POINT PENDANT

**LAMP**  
12V HALOGEN GY6.35 BI-PIN  
(50W BI-PIN GY 6.35 AND  
BULB COVER INCLUDED)  
G9

**EXTENSION ELEMENT FINISHES:**

- 01 WHITE
- 02 BLACK
- 11 MATTE WHITE
- 03 24 K GOLD PLATED
- 04 CHROME PLATED
- 04BR BRUSHED CHROME PLATED
- 05 ARCHITECTURAL BRONZE
- 07 ANTIQUE BRASS PLATED
- 08 ANTIQUE SILVER PLATED
- 09 MAHOGANY
- 12BR BRUSHED NICKEL PLATED
- 13 SATIN NICKEL PLATED

**"MOUTH BLOWN"**



**COLORS**  
A EGGPLANT\*  
B COBALT BLUE  
G GREEN  
M AMBER  
N NATURAL  
R RED  
W WHITE\*  
(\*ASPECTS  
NOT AVAILABLE)

**TEXTURES**  
C: CLEAR  
F: FROSTED INT  
FF: FROSTED  
INT/EXT

**ASPECTS**  
A1: CRACKLED  
A2: FLUTED  
A3: SWIRLED  
A4: BUBBLY

\* CAP CAPPUCCINO  
\* NEP NEPTUNE  
\* RUM RUMBA  
\* TOR TORNADO  
\* VOL VOLCANO  
\* KEN KENDO

**"FANTAISIE" SERIES**

ONLY WITH  
127 - 150 - 250 SHAPE

FAB - "FANTAISIE" BLUE  
FAR - "FANTAISIE" RED  
FAW - "FANTAISIE" WHITE  
FAY - "FANTAISIE" YELLOW

**SHADE ELEMENT**

Ordering Example :  
PS027GCAP

PS : Shade, 027 : Shape, G : Glass, CAP : Cappuccino

**EXTENSION ELEMENT**

Ordering Example :  
P104BRCOC21A

P1 : Mono Point, 04BR : Brushed Chrome, CO : Coaxial  
C2 : Long Cone, 1A : BI-PIN GY 6.35

Specifications subject to change without notice.

**CONTRAST**  
L I G H T I N G

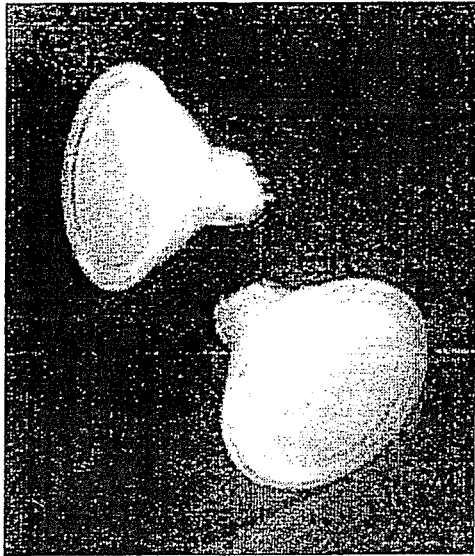
1009, rue du Parc Industriel. Saint-Jean-Chrysostome, Quebec. CANADA G6Z 1C5 Tel.: (418) 839-4624  
Toll free fax: 1-877-839-7057 Email: info@contrastlighting.com Website: www.contrastlighting.com



# USHIO

## DECORATIVE LAMPS

### FROSTLINE™ SERIES



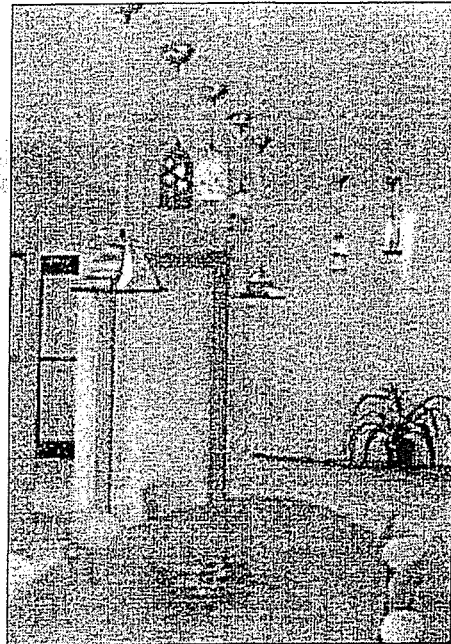
### FROSTED MR-16 LAMPS FOR GENERAL LIGHTING

USHIO's Frostline™ series of MR-16 lamps feature a Halogen capsule surrounded by a frosted reflector and frosted front glass cover. Because there is no reflective coating on the reflector, the light profile spills in all directions. Normal dichroic MR-16s typically cause color changes or disruptive patterns on colored fixture glass. The Frostline™ series was designed to fit into pendant glass fixtures and eliminate the back-spill of "dichroic color" often occurring when used in these type of fixtures.

Available in 20W, 35W, and 50W

### FEATURES & BENEFITS

- Integrated frosted cover glass
- Diffused light
- Crisp Halogen color
- Standard bi-pin GU5.3 base
- 2900K color temperature
- 4000 hours average life
- Dimmable
- A-line type light profile



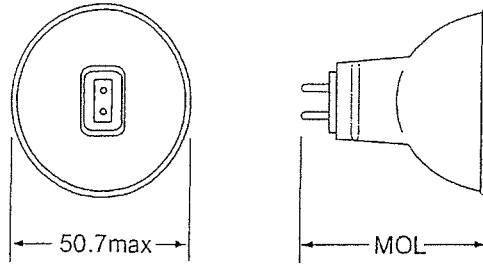
### APPLICATIONS

- Glass Pendant Lighting
- Decorative Lighting

# USHIO

## CHARACTERISTICS & SPECIFICATIONS

### FROSTLINE™ MR-16



GU5.3

All dimensions are in millimeters

Watts (W)	Ushio Ordering Code	Ushio Lamp Code	Voltage (V)	Dimension MOL (mm)	Color Temp (K)	Luminous Flux (lm)	Avg Life (h)
20	1003253	JR12V-20W/FR/FG	12	45.2	2900	250	4000
35	1003254	JR12V-35W/FR/FG	12	45.2	2900	520	4000
50	1003255	JR12V-50W/FR/FG	12	45.2	2950	850	4000



The model C-33U socket is rated up to 24V-7A for use with all low voltage USHIO GU5.3 based MR-16 lamps. The metal clips secure the lamp firmly into the socket. Use Ordering Code 1002142



Frostline™ lamps are manufactured under ISO 9001 guidelines ensuring quality and security for the purchaser

Distributed by:

Form No. S-MR16FL-0903: The specifications on this sheet supercede all previously published specifications and may be subject to change for design and specification improvement without prior notice.



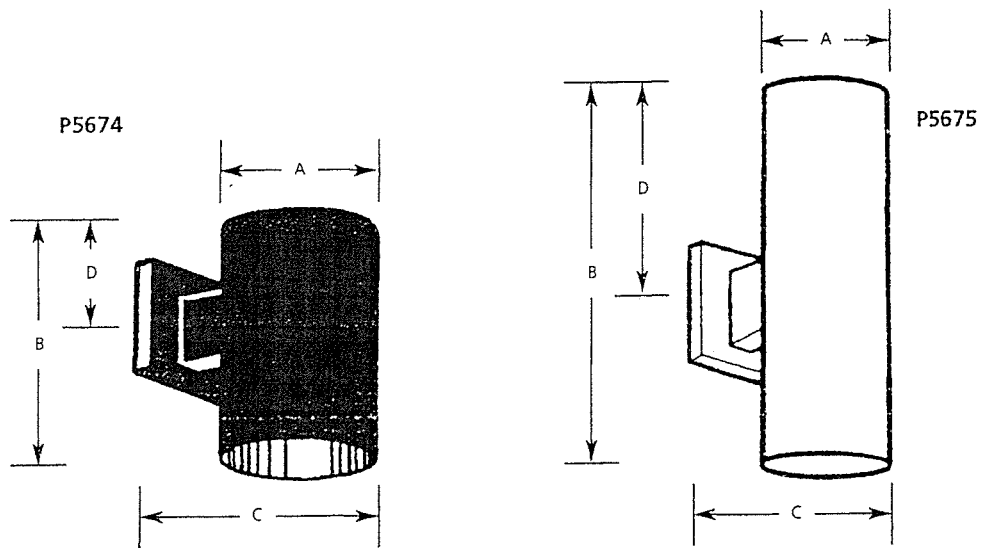
Incandescent

5" Cylinders  
Wall Mount

Outdoor

Type	D			
	-20	-30	-31	-82
P5674	<input type="checkbox"/>	<input type="checkbox"/>	<input type="checkbox"/>	<input type="checkbox"/>
P5675	<input type="checkbox"/>	<input type="checkbox"/>	<input type="checkbox"/>	<input type="checkbox"/>

Catalog No.	Finish				Lamping	Dimensions (Inches)			
	Bronze	White	Black	Metallic Gray		A	B	C	D
P5674	-20	-30	-31	-82	1-75w PAR30, 65w BR30	5	7-1/4	8	2-1/2
P5675	-20	-30	-31	-82	2-75w PAR30	5	14	8	7



**Specifications:**

General

- Extruded aluminum .125 wall thickness one piece cylinder
- Cast aluminum wall bracket
- P5674 - Down lighting
- P5675 - Up/Down lighting. P8799-31 top cover lens recommended when unit is used outdoors
- Interior finish matches exterior finish

Mounting

- Covers any outlet box
- Cast mounting bracket is 4-1/2" square
- Outlet box mounting bracket supplied permitting attachment of unit to wall with one almost invisible set screw

Electrical

- Medium base porcelain socket with nickel plated brass screw shell

Options

- Bronze finish - specify "20" suffix
- White finish - specify "30" suffix
- Black finish - specify "31" suffix
- Metallic Gray finish - specify "82" suffix

Accessories

- P8799-31 Top lens cover for P5675 fixture

Labeling

- UL-CUL wet location listed - P5674 and P5675 with top cover
- P5675 UL-CUL listed for indoor use with no cover

Progress Lighting  
Post Office Box 5704  
Spartanburg, South Carolina  
29304-5704

www.progresslighting.com

Rev. 1/04

# Incandescent



Shape	Base	Order Watts Code	Description	Volts	Case Qty.	Filament Design	MOL	LCL	Rated Life Hours	Lumens Initial	Color Temp. K	CBCP	Beam Spread	Footnotes	Additional Information
-------	------	------------------	-------------	-------	-----------	-----------------	-----	-----	------------------	----------------	---------------	------	-------------	-----------	------------------------

## INCANDESCENT LAMPS (CONTINUED)

### 65 WATTS (CONTINUED)

	Med	65 26642	65R30/FL/G	120	30	CC-6	5.37		2000				2A, 5E, 9K	Reflector - Green	
			26645	65R30/FL/Y	120	30	CC-6	5.37		2000				2A, 5E, 9K	Reflector - Yellow
			26803	65R30/FL/PK	120	30	CC-6	5.37		2000				2A, 5E, 9K	Reflector - Pink
			26805	65R30/FL/LL	120	30	CC-6	5.37		2500	725			2A, 5E, 9K	Long Life Reflector - Flood
			26806	65R30/SP/LL	120	30	CC-6	5.37		2500	725			2A, 5E, 9K	Long Life Reflector - Spot
			41837	65R30/SP/HP	120	30	CC-6	5.37		2000					Indoor Spotlight, Hot Pink
			46858	65R30/FL/COG	120	30	CC-6	5.37		2000					Reflector - covGuard® Coated
			47723	65R30FL/STGPQ1/6	120	30	CC-6	5.37		2000					Indoor Floodlight - Saf-T-Gard®
			48692	65R/FL/RVL PQ1/6	120	30	CC-6	5.37		2000					Reveal®
			46855	65R30/FL	130	30	CC-6	5.37		2000	725				Watt-Miser® - Reflector
			46856	65R30/SP	130	30	CC-6	5.37		2000	725				Watt-Miser® - Reflector
			46857	65R30/FL/PK	130	30	CC-6	5.37		2000					Watt-Miser® - Reflector - Pink
	48039	65R30SP/FUS	130	30	CC-6	5.37		2000					Indoor Spotlight, Fusia		
	Med	65 14016	65R40/FL/MI 6PK	120	30	CC-6	6.56		2000	730			2A, 2B, 5E, 9K	Reflector Flood	
			47683	65R40/FL/LLPQ1-6	120	30	CC-6	6.56		2500					Long Life Reflector - Indoor Floodlight
			46861	65R40/FL	130	30	CC-6	6.56		2000	700				Watt-Miser® - Reflector - I.F.
	Med Sid Pr	65 12846	75PAR/3FL/65WM	120	12	CC-6	4.3		2000	675	2675	1750	30 → 1A, 2A, 2B	Compact Flood	
			12847	75PAR/3SP/65WM	120	12	CC-6	4.3		2000	675	2675	5900	14 → 1A, 2A, 2B	Compact Spot

### 67 WATTS

	Med	67 12617	75A/67WM	120	120	CC-8	4.43	3.12	1000	1030				→	Watt-Miser®-Diffuse Coating	
			67 12624	75A/67WM	130	120	CC-8	4.43	3.12	1000	1000				→	Watt-Miser®-Diffuse Coating (Ratings @ 120 volts.)
			60		120					2600	755					
			67 13018	75A/67WMP/99	130	120	CC-8	4.43	3.12	2500	910				→	Watt-Miser® Plus-Diffuse Coating (Ratings @ 120 volts.)
	Med	67 38551	67A21/TS	120	120	C-9	4.37	2.43	8000	635					Clear-Traffic Signal, BDTH	
			38552	67A21/TS	125	120	C-9	4.37	2.43	8000	635					Clear-Traffic Signal, BDTH
			38553	67A21/TS	130	120	C-9	4.37	2.43	8000	635					Clear-Traffic Signal, BDTH

### 69 WATTS

	Med	69 17323	69A21/TS	120	120	C-9	4.37	2.43	8000	675				→	Clear-Traffic Signal, BDTH
			17325	69A21/TS	130	120	C-9	4.37	2.43	8000	675				→

### 70 WATTS

	Med	70 11905	70A/SW/MI 48PK	120	144	CC-8	4.43	3.12	750	1125				→	Soft White, Miser®
--	-----	----------	----------------	-----	-----	------	------	------	-----	------	--	--	--	---	--------------------

### 70/170/240 WATTS

	3C Med	70 15846	80/250A/RL/SW 6PK	120	30	C-2R	5.75	4.31	1000	800				2B, 2I, 9J	Soft White- Reader Light™ 3-Way	
			170		120		CC-8			1000	2800					
			240		120					1000	3600					

### 75 WATTS

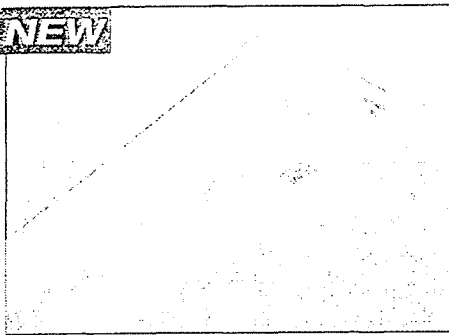
	Med	75 10428	75A/GL 24PK	120	120	CC-6	4.43	3.12	750	1200					Clear	
			22364	75A/COMM 24PK	120	24	CC-6	4.43	3.12	750	1180					Inside Frost
			41030	75A 48PK	120	144	CC-6	4.43	3.12	750	1190					Standard
			41032	75A/W 48PK	120	144	CC-6	4.43	3.12	750	1170					Soft White
			41287	75A/W/LL 24PK	120	120	CC-6	4.43	3.12	1125	1125					Soft White-LongLife
			48689	75A/RVL 48PK	120	144	CC-8	4.43	3.12	750	830					Reveal®
			75 17347	75A	130	120	CC-6	4.43	3.12	750	1170					Inside Frost
			67		120					1950	885					(Ratings @ 120 volts.)
			75 40328	75A/S-130V-24PK	130	24	C-9	4.43	3.12	3000	815					Survivor™ LongLife I.F. Vibration Resistant (Ratings @ 120 volts.)
			67		120					8300	790					

Cabinet Lighting

# Xenon

## Low-Profile Xenon Fixture

**NEW**



**Intended Use**

For use where accent light is needed. Ideal for cabinet lighting in kitchens, offices and bookcases.

**Features**

Cool operation with clean, bright, white illumination.

White or bronze finish.

12V Xenon bulb(s) included.

Standard direct-wire (poke-home connectors included) or plug-in (5' corded plug included).

High/low switch for optimum light output.

13" connector cord included, so more fixtures can be added anytime.

Available in resale packs of 6.

UL listed to US and Canadian standards.

### Ordering Information

Example: **UCX 2 120 CSW BZ R6**

Length	Model Number <sup>1</sup>		Lamps (included)	Packaged <sup>2</sup>
	Xenon	White finish		
9"	UCX 1 120 CSW R6	UCX 1 120 CSW BZ R6	1-18W 12V Xenon	6
12"	UCX 2 120 CSW R6	UCX 2 120 CSW BZ R6	2-18W 12V Xenon	6
18"	UCX 3 120 CSW R6	UCX 3 120 CSW BZ R6	3-18W 12V Xenon	6
24"	UCX 4 120 CSW R6	UCX 4 120 CSW BZ R6	4-18W 12V Xenon	6

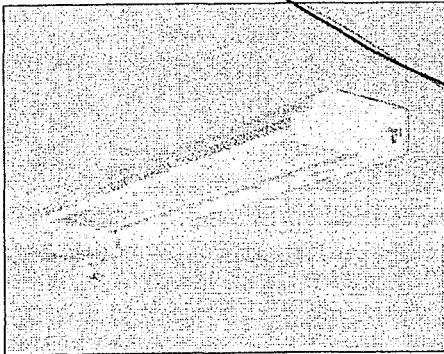
**NOTES:**

1 Lamps included.

2 Resale packs must be ordered in increments of 6.

# Halogen

## Swivel Halogen Fixture



**Intended Use**

For use when accent light is needed. Ideal for cabinet lighting in kitchens, office and bookcases.

**Features**

Fixture head rotates 20° backward and 45° forward to aim light where needed.

White or bronze finish.

25W G8 halogen bulb(s) included.

Standard direct-wire (poke-home connectors included) or plug-in (5' corded plug included).

High/low switch for optimum light output.

13" connector cord included, so more fixtures can be added anytime.

Crisp, white light and quiet operation.

Resale package of 6.

UL listed to US and Canadian standards.

### Ordering Information

Example: **UCHD 2 120 CSW R6**

Length	Model Number <sup>1</sup>		Lamps (included)	Packaged <sup>2</sup>
	Halogen	White finish		
6"	UCHD 1 120 CSW R6	UCHD 1 120 CSW BZ R6	1-20W G8 Halogen	6
12"	UCHD 2 120 CSW R6	UCHD 2 120 CSW BZ R6	2-20W G8 Halogen	6
18"	UCHD 3 120 CSW R6	UCHD 3 120 CSW BZ R6	3-20W G8 Halogen	6
24"	UCHD 4 120 CSW R6	UCHD 4 120 CSW BZ R6	4-20W G8 Halogen	6

**NOTES:**

1 Lamps included.

2 Resale packs must be ordered in increments of 6.



**ZANEEN**

BATH VANITY

JOB: \_\_\_\_\_

LOCATION: \_\_\_\_\_

DATE: \_\_\_\_\_

CATALOG: DECORATIVE D1-D2 2003/04

## PRODUCT SPECIFICATIONS

STYLE # D1-5005

SERIES NAME: INTERNOS

STRUCTURE: Metal

COLOR /FINISH: Chrome

DIFFUSER: Satin Glass

LAMP TYPE: Halogen G9 Frost 

VOLTAGE: 120V

MAX WATT: 5 x 60W

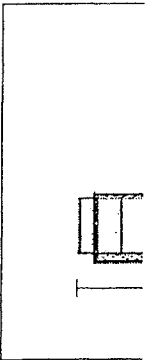
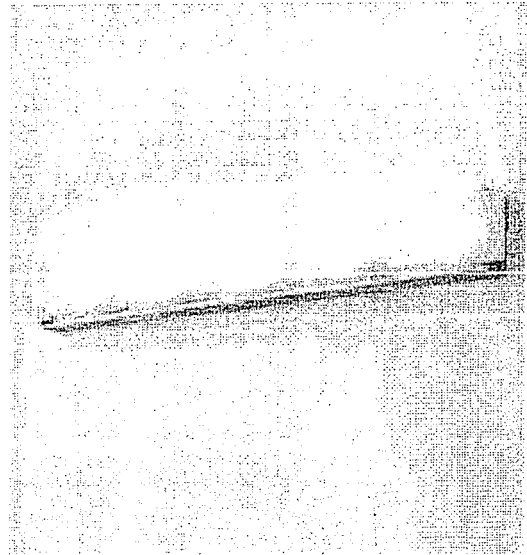
DIMENSIONS: L. 31 1/2" x Ht. 4" x Ext. 3 1/4"

CSA APPROVALS: Approved for North America

NOTES: \_\_\_\_\_

\_\_\_\_\_

\_\_\_\_\_



**ZANEEN**

**DECORATIVE**

*Europe's finest lighting*

**HOME COMPANY PRODUCTS CUTSHEETS PORTFOLIO WHAT'S NEW DEALER LOCATOR CONTACT US**

Wall Sconces

Flush Mounts

Pendants

Chandeliers

**DECORATIVE**

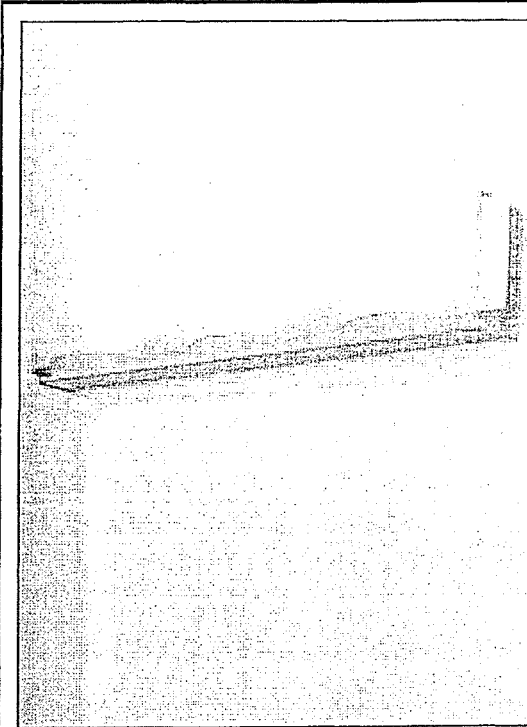
**LIGHTING SYSTEMS**

**OUTDOOR**

Search by **KEYWORD:**

**SEARCH**

**QUICKSHIP**



Series: **INTERNOS**  
Style #: **D1-5003**

Catalog: **DESIGN D1-D2**

Style Name: **Contemporary**  
Category: **Bath Lights**

Finish: **Chrome Plated Finishes**  
Diffuser: **Other Glass**

Maximum Wattage: **3 x 60W**  
Bulb Type: **Halogen: G9 Frost**

Dimensions: **L. 19 2/3" x W. 3 1/7" x Ht. 3 9/10"**

Features: **Finish: Chrome**

Designed by: **Roberto Favaretto**

Available in Compact Fluorescent: **No**

**SEE ALL PRODUCTS IN INTERNOS SERIES**

# Halogen Lamps



Bulb Shape	Base Type	Order Watts	Order Code	Description	Case Volts	Filament Qty.	Type	MOL	LCL	Rated Life (hrs)	Lumens Initial	Color Temp.	CBCP	Footnotes	Additional Information
<b>QUARTZ HALOGEN (CONTINUED)</b>															
T3	2-Pin GY6.35	50	34702	Q50T3/12V/CL	12	100	C-6	1.75		2000	850			2a, 2j, 4c, 4e, 4f, 9a, 9d, 10b, 10c	
T4	2-Pin GY6.35	50	19376	Q50T4/CL/CD 5PK	12	25	C-6	1.75	1.16	2000	950			2a, 2j, 4c, 4e, 4f, 9a, 9d, 10b, 10c	Clear, Carded
		75	19377	Q75T4/CL/CD 5PK	12	25	C-6	1.75	1.16	2000	1600			2a, 2j, 4c, 4e, 4f, 9a, 9d, 10b, 10c	Clear, Carded
T3	2-Pin GY6.35	100	34676	Q100T3/12V/CL	12	100	CC-6	1.75		2000	2350			2a, 2j, 4c, 4e, 4f, 9a, 9d, 10b, 10c	
			34663	Q100T3/24V/CL	24	100	CC-6	1.75		2000	2000			2a, 2j, 4c, 4e, 4f, 9a, 9d, 10b, 10c	

<b>QUARTZLINE®</b>															
<b>HIR™</b>															
T2	R7s	225	12282	Q225T2CL/ULTRACD	120	60	C-8	4.69	2.5	3000	5950	2965		→ 1a, 2a, 2b, 4c, 4d, 4e, 4f, 9a, 9d, 10b, 10c, 12b	IR, Clear, Horizontal
T2.5	R7s	350	12283	Q350T3CL/ULTRACD	120	60	C-8	4.69	2.25	2000	10000	3075		→ 1a, 2a, 2j, 2k, 4a, 4c, 4d, 4e, 4f, 4g, 8a, 9a, 9d, 10b, 10c, 12b	IR, Clear, Horizontal, Carded
			13894	Q350T3/CL/HIR	120	6	C-8	4.69	2.25	2000	10000	3075		→ 1a, 2a, 2j, 2k, 4a, 4c, 4d, 4e, 4f, 4g, 8a, 9a, 9d, 10b, 10c, 12b	IR, Clear, Horizontal
			14311	Q350T3/CL/HIR	130	6	C-8	4.69	2.25	2000	9600	3000		→ 1a, 2a, 2j, 2k, 4a, 4c, 4d, 4e, 4f, 4g, 8a, 9a, 9d, 10b, 10c, 12b	IR, Clear, Horizontal
		900	13642	Q900T3/CL/HIR	240	6	C-8	10.06	6.13	2000	32000	3160		→ 1a, 2a, 2j, 2k, 4a, 4c, 4d, 4e, 4f, 4g, 8a, 9a, 9d, 10b, 10c, 12b	IR, Clear, Horizontal
			14335	Q900T3/CL/HIR	277	6	C-8	10.06	6.13	2000	31000	3160		→ 1a, 2a, 2j, 2k, 4a, 4c, 4d, 4e, 4f, 4g, 8a, 9a, 9d, 10b, 10c, 12b	IR, Clear, Horizontal, Halogen

<b>HALOGEN</b>															
T4	G9	25	16754	Q25G9/CD	120	5	CC-8	1.77	1.26	3000	240	2650		1a, 2a, 2b, 2e, 4f, 4i, 9a, 10b, 10c	Carded
		40	16755	Q40G9/CD	120	5	CC-8	1.77	1.26	2000	480	2750		1a, 2a, 2b, 2e, 4f, 4i, 9a, 10b, 10c	Carded
T2.5	R7s	45	23850	Q45T2 1/2/CL	7	12	C-8	2.063		1000	710			2a, 2j, 4a, 4c, 4e, 4f, 4g, 8a, 9a, 9d, 10b, 10c	
T4	2-Pin PreFoc	45	41541	Q45T4/CL	12	C-6	2.5	1.53	500	835				2a, 2j, 4a, 4c, 4d, 4e, 4f, 4g, 8a, 9a, 9d, 10b, 10c, 12c	Clear, Airport, Base Down
	G9	60	16756	Q60G9/CD	120	5	CC-8	1.77	1.26	3000	780	2800		1a, 2a, 2b, 2e, 4f, 4i, 9a, 10b, 10c	Carded
		75	16759	Q75G9/CD	120	5	CC-8	1.77	1.26	3000	1100	2850		1a, 2a, 2b, 2e, 4f, 4i, 9a, 10b, 10c	Carded
T3	Mini-Cand	75	39574	Q75CL	28	20	CC-6	2.5	1.19	2000	1350			2a, 2j, 4a, 4c, 4e, 4f, 4g, 8a, 9a, 9d, 10b, 10c, 12e	Clear
			12715	Q75CL/MC/CD	120	25	CC-8	2.5	1.25	1000	1050	2850		1a, 2a, 2j, 4a, 4c, 4e, 4f, 4g, 8a, 9a, 9d, 10b, 10c, 12e	Clear, Carded
	R7s	100	22489	Q100T3/CL/CD 5PK	120	60	C-8	3.13	1.25	1500	1650	2950		1a, 2a, 2j, 4a, 4c, 4e, 4f, 4g, 9a, 9d, 10b, 10c, 11a	Clear, Horizontal, Carded
T4	Mini-Cand	100	16452	Q100MC	120	6	CC-8	2.81	1.38	2000	1550	2950		1a, 2a, 2j, 4a, 4c, 4e, 4f, 4g, 8a, 9a, 9d, 10b, 10c, 12e	Frosted
			15507	Q100CL/MC	120	6	CC-8	2.81	1.38	2000	1600	2950		1a, 2a, 2j, 4a, 4c, 4e, 4f, 4g, 8a, 9a, 9d, 10b, 10c, 12e	Clear
			44385	Q100CL/MC/2V	120	6	CC-2V	2.81	1.38	750	1800	2950		1a, 2a, 2j, 4a, 4c, 4e, 4f, 4g, 8a, 9a, 9d, 10b, 10c, 12e	Clear
			19383	Q100CL/MC/CD 5PK	120	25	CC-8	2.81	1.38	2000	1600	2950		1a, 2a, 2j, 4a, 4c, 4e, 4f, 4g, 8a, 9a, 9d, 10b, 10c, 12e	Clear, Carded



**ZANEEN**

JOB: \_\_\_\_\_

LOCATION: \_\_\_\_\_

DATE: \_\_\_\_\_

CATALOG: DECORATIVE D1-D2 2003/04

## PRODUCT SPECIFICATIONS

STYLE # D2-2020

SERIES NAME: QUADRA

STRUCTURE: Metal

COLOR /FINISH: Chrome

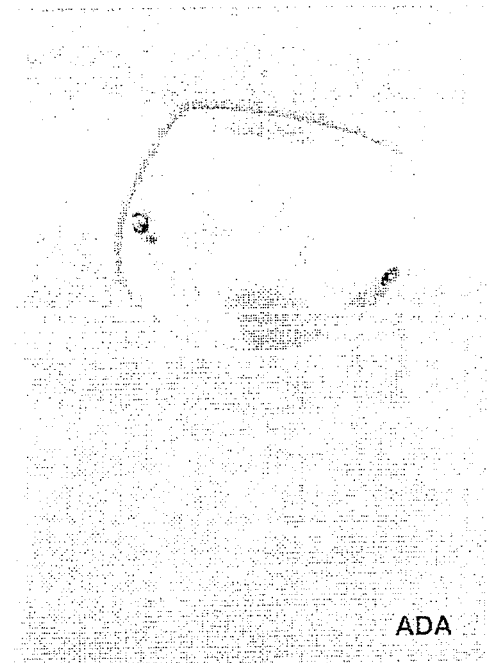
DIFFUSER: Silk Screened Satin Glass

LAMP TYPE:  Incand. Medium

MAX WATT: 1 x 75W

DIMENSIONS: L. 12 1/2" x Ht. 12 1/2" x Ext. 3 1/2"

APPROVALS: Approved by CSA for  
North American Standards.



**CUSTOM OPTIC**

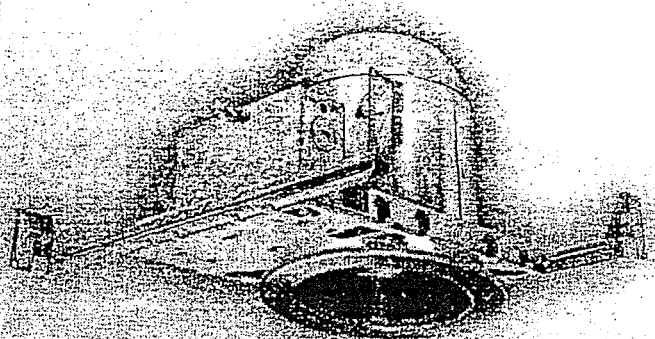
NOTES: \_\_\_\_\_

\_\_\_\_\_  
\_\_\_\_\_

ZANEEN LIGHTING 65 DENSLEY AVE. TORONTO, ONTARIO, CANADA M6M 1R7  
PH: 800.388.3382 / 416.247.9221 FAX: 416.247.9319 www.zaneen.com zaneen@zaneen.com

# B51C 5" UNIVERSAL IC HOUSING

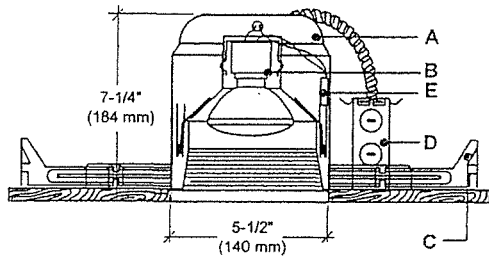
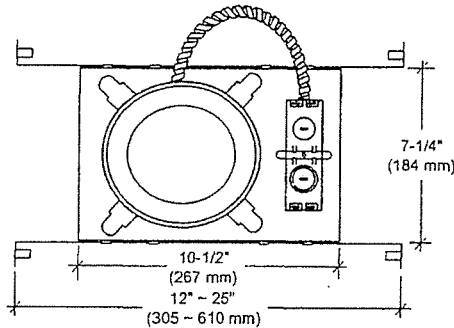
BAFFLE TRIM



## DESCRIPTION

For new construction. Thermally protected, IC rated specification grade recessed housing, where housing will be in direct contact with insulation. Accommodates up to 75W R/PAR30, 50W R/PAR20 and 40W A19 lamps. Furnished with preinstalled adjustable bar hangers. Junction box is provided with four 1/2" KOs, one 3/4" KO and four Romex knockouts with strain relief.

**LAMP WATTAGE:** (1) Maximum 75W R/PAR30, 50W R/PAR20 and 40W A19



**AIR SHUT**  
Gasket to prevent air flow from heated or air conditioned spaces.

## SPECIFICATION

**A. HOUSING** - Die-formed all aluminum construction for maximum heat dissipation and rust protection. Adjusts vertically in plaster frame to accommodate 1/2" to 1-3/8" ceiling.

**B. SOCKET** - Medium base screw shell porcelain socket preinstalled on adjustable mounting bracket is designed to allow usage of different lamp types, as well as proper and consistent lamp positioning.

**C. BAR HANGERS** - Preinstalled bar hangers allow housing to be positioned and locked at any point within a 24" joist span. They can be used on either long or short axis of housing and can be shortened for 12" joists. They are designed to be hammered directly without using nails or screws and could be fit onto T-Bar spline for easy installation and quick alignment.

**D. JUNCTION BOX** - Is UL and ETL listed for through-branch circuit wiring, provided with four 1/2" KOs, one 3/4" KO and four Romex knockouts with true pry-out slots and strain clamps.

**E. THERMAL PROTECTION** - Standard thermal protection device guards against improper installation, overlamping and misuse of insulation material.

UL and C-UL listed for Damp location.  
UL listed for Feed Through wiring.  
UL listed for direct contact with insulation.

ETL and C-ETL listed for Damp location.  
ETL listed for Feed Through wiring.  
ETL listed for direct contact with insulation.

## ORDERING INFORMATION, PLEASE SPECIFY:

TYPE	OPTION(S)	TRIM TYPE	AVAILABLE COLOR COMBINATION
B51C	AIR SHUT	<input checked="" type="checkbox"/> B530 - Stepped Baffle	<input type="checkbox"/> CP - CP
	<input checked="" type="checkbox"/> AT		<input type="checkbox"/> SN - SN
	WAGO QUICK CONNECT		<input checked="" type="checkbox"/> W - WH
	<input type="checkbox"/> W		<input type="checkbox"/> P - WH
			<input type="checkbox"/> P - BK

Specified:

**B51C**    AT    -    B530    -    W    -    B530  
TYPE    OPTION(S)    TRIM TYPE    BAFFLE    TRIM RING

(Sample of Catalog Number: B51C-AT-B530-W-WH)

SPECIFIED BY:

TYPE:    JOB NAME:

F

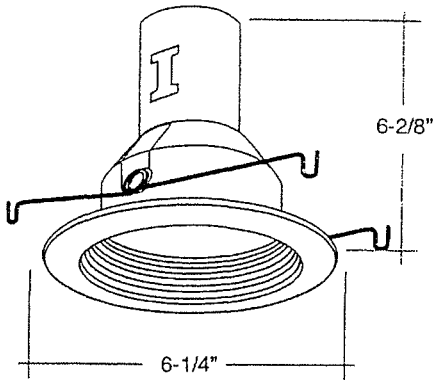
**elite** LIGHTING

Tel: 323-888-1973 • 877-375-5555 / Fax: 323-888-1977 • 877-375-3333  
www.iuseelite.com • E-mail: sales@iuseelite.com

INCANDESCENT

**B530**

## STEPPED BAFFLE

**MAX. LAMP WATTAGE:**

75W R/PAR30, 50W R/PAR20, 40W A19

**AVAILABLE COLOR COMBINATIONS:**

CP - CP, SN - SN, W - WH, P - WH, P - BK

**DESCRIPTIONS:**

- Built w/ deep baffle technology for glare free illumination.
- Relamps from the front.
- Unitized optics guarantee proper alignment of lamp.
- Both trim and trim ring are U.V. coated to prevent rust and discoloration caused by heat and sun light.
- Internal gasket prevents 100% of all light leakage.

RING/TRIM FINISHES: WH=White BK=Black SN=Satin Nickel CP=Copper CH=Chrome PB=Polished Brass

BAFFLE FINISHES: W=White P=Black SN=Satin Nickel CP=Copper

REFLECTOR FINISHES: CL=Chrome RG=Gold W=White MB=Black CP=Copper SN=Satin Nickel

*GE Lighting Infrastructure Catalog*

Subcategory Halogen Compact PAR30 Lamps

Product Code 18060  
 Description 75PAR30/H/FL35°

Bulb	PAR30	Case Quantity	15
Base	Med NP	MOL (In.)	3 5/8
Filament Design	CC-8	Color Temperature (K)	2830
Watts	75	CBCP	2000
Lumens	1030		
Average Life Hours	3000		
Volts	130		

LCL (In.)

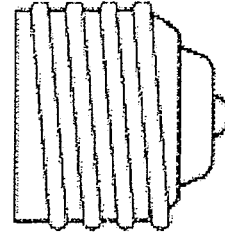
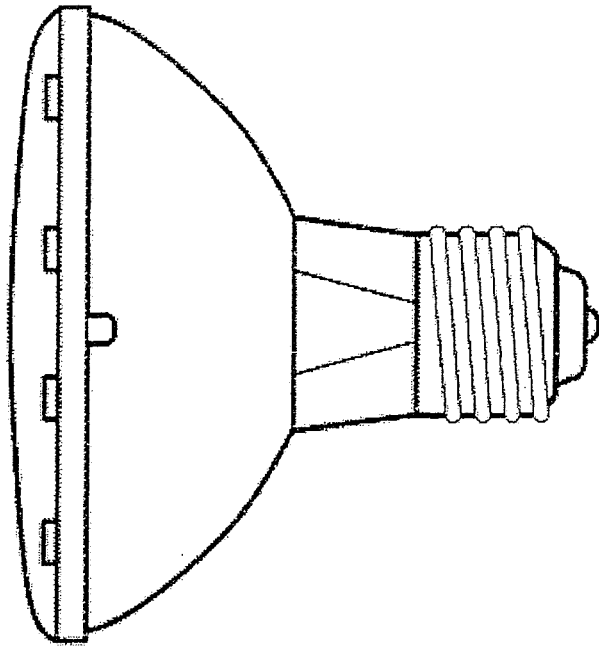
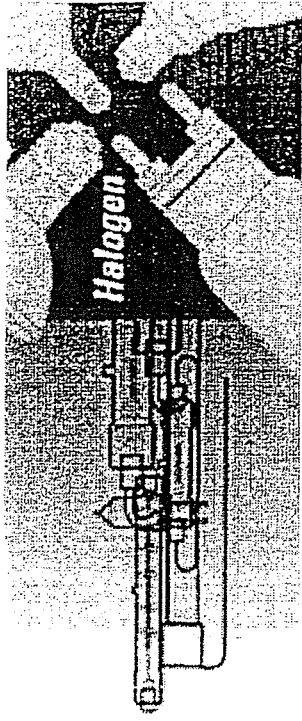
Additional Information Floodlight

Footnotes Lamp is made of heat resistant glass (HRG).

Lamp base is a nickel plated brass base (NPBB).

Avoid use at short distances on materials that are inflammable or susceptible to heat damage. Do not use lamp in application where it may be exposed to direct water splash. If lamp is used outdoors, it must be protected by an enclosed fixture or an overhang. Failure to properly protect the lamp can result in premature failure of the lamp.

If lamp is cracked or broken, replace immediately. The lamp may continue to light, but the inner bulb is pressurized and could unexpectedly shatter. Dispose of with care.





Incandescent

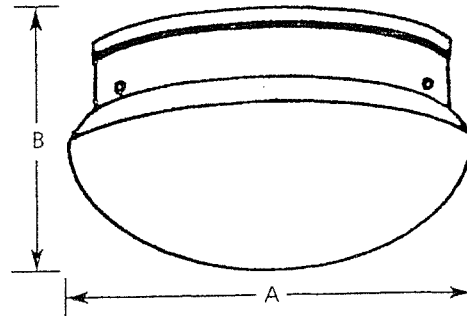
10" Fitter

Close-to-Ceiling

Type     M    

-10 -11 -30  
P3412

Catalog No.	Finish			Lamping	Dimensions (Inches)	
	Polished Brass	Antique Brass	White		A	B
P3412	-10	-11	-30	2 (m) 75w	11-3/4	5-3/4



**Specifications:**

General

- Steel construction
- White glass
- (-10, -11) Plated finish
- (-30) White painted finish
- (3) Installed fitter screws to retain glass
- Fiberglass insulated

Electrical

- Requires 90-degree supply wire connections
- Pre-installed snap-in phenolic sockets
- Pre-wired

Labeling

- UL-CUL listed

Mounting

- Ceiling mount
- Covers outlet box
- Mounting strap for outlet box included
- Keyhole slots for easy fixture mounting

Progress Lighting  
Post Office Box 5704  
Spartanburg, South Carolina  
29304-5704

www.progresslighting.com

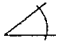









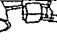

Rev. 1/02

**SPECIFICATION SHEET**

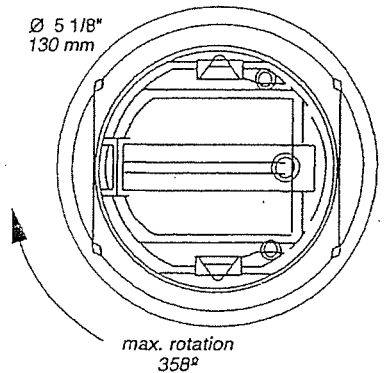
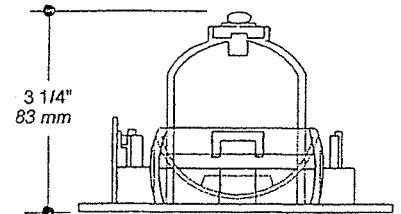
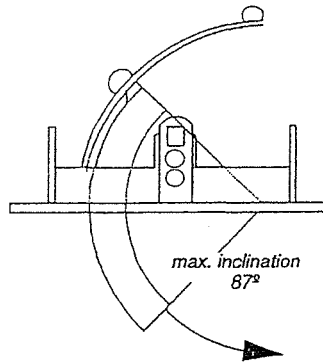
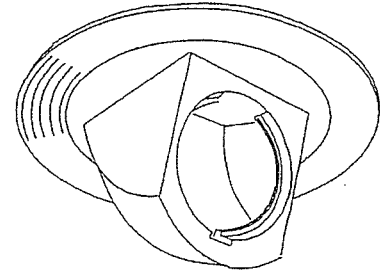
4 1/4" LOW VOLTAGE MR16

**PROJECT No:**

**T7024 - SQUARE FACE ELBOW**

	87°
	358°
	yes
	MR16 20-50W
	
	
	
	
	
	NW7000M
	IT7000E & IT7000M
	ISMR7000E35 & ISMR7000M35

E Electronic M Magnetic C Short L Long



**NOTES:**

UNLESS OTHERWISE INDICATED,  
ALL TRIMS SERIES ARE FOR INTERIOR USE ONLY.

**TRIM FINISH**

- 01- WHITE
- 02- BLACK
- 03- 24K GOLD PLATED
- 04- CHROME PLATED
- 04BR- BRUSHED CHROME PLATED
- 05- ARCHITECTURAL BRONZE
- 06- ANTIQUE COPPER
- 07- ANTIQUE BRASS PLATED
- 08- ANTIQUE SILVER PLATED
- 09- MAHOGANY
- 11- MATTE WHITE
- 12BR- BRUSHED NICKEL PLATED
- 13- SATIN NICKEL PLATED
- 14- ALMOND



**PROJECT**

Your Project: \_\_\_\_\_








Representative: \_\_\_\_\_


**SPECIFICATION SHEET**

**PROJECT No:**  
 \_\_\_\_\_

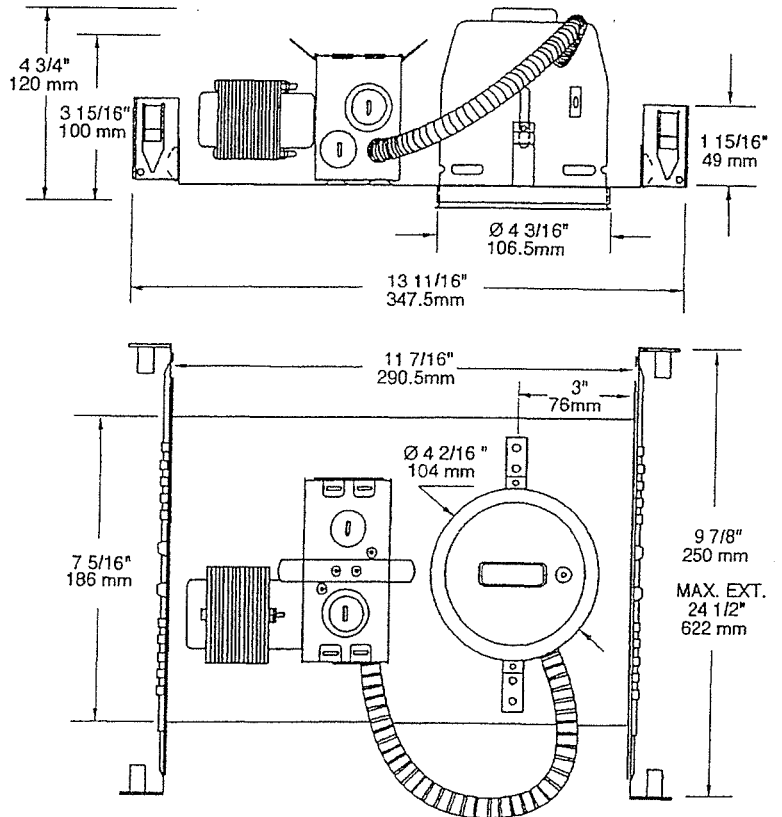
**"NON-IC" TYPE HOUSING**

NW7000M 120/12V  
 NW7000M2 277/12V  
 NW7000M3 347/12V

-  yes
-  VOLTAGE 120, 277 or 347 VOLTS
-  12 V 50W max.
-  \_\_\_\_\_
-  \_\_\_\_\_
-  EC 50M 50 VA 120V / 12V  
EC 50M2 50 VA 277V / 12V  
EC 50M3 50 VA 347V / 12V
-  T°C 110°C No 031
- Double top
- UL number E 174023
- E Electronic M Magnetic C Short L Long

 OD Cut : 4 1/4" (107 mm)

NOTES:  
 For ceiling without insulation  
 Below ceiling access  
 Magnetic transformer available in 277/12V and 347/12V



**PROJECT**

Your Project: \_\_\_\_\_

\_\_\_\_\_

\_\_\_\_\_

Representative: \_\_\_\_\_

*of lighting innovation*

Subcategory ConstantColor® Precise™ MR16 Lamps

Product Code 20833

Description Q50MR16/C/FL40°-EXN 10PK

Bulb MR16

Base 2-Pin GX5.3

Watts 50

Lumens

Average Life Hours 60000

Volts 12

Additional Information Flood

Case Quantity 20

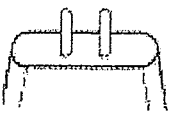
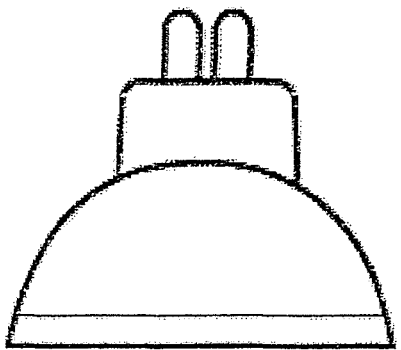
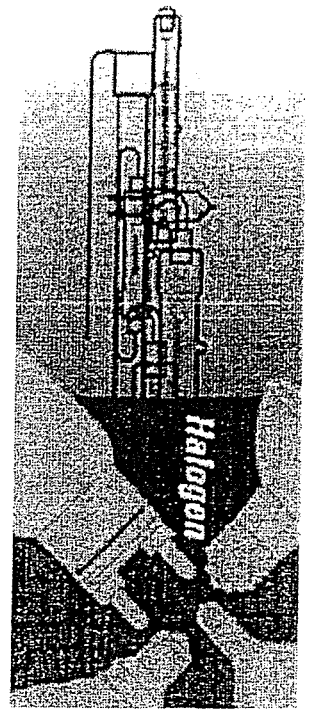
MOL (In.) 1 7/8

Color Temperature (K) 3050

CBCP 1700

LCL (In.)

Footnotes For use only in equipment designed for lamps of this type and wattage, having ventilation adequate to maintain bulb and base temperatures within safe limits.



Reduced Wattage

High Color Rendering

To convert inches to millimeters, multiply by 25.4



Incandescent

6" Incandescent Fire-Box®  
High Wattage Non-IC

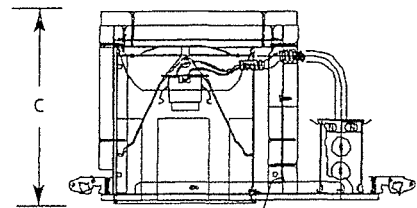
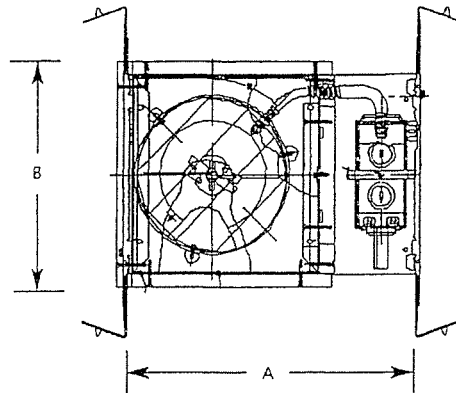
Recessed

Type P

P821-FB



Catalog No.	Lamping	Dimensions (Inches)		
		A	B	C
P821-FB	See Trim Specifications	12-3/8	9-9/16	8-13/16 Ceiling Opening 6-7/8



• Trim must be ordered separately.

**Specifications:**

Wiring

- Universal J-box with snap-out sides
- 1/2" & 3/4" Knock outs for rigid conduit or BX fittings
- Grounding pigtail
- Knock out free integral Romex clamps
- Access door in housing for field inspection of wiring

Construction

- Adjustment for ceiling thickness from 1/2" to 2"
- Steel outer housing
- For new construction applications
- Notched housing for chalkline alignment
- Overspray protection
- Socket can be used as a work light
- Porcelain socket with nickel-plated brass screw shell
- Fits into 2X10 construction
- 6 pieces of UL classified fire resistant gypsum board attached to recessed housing
- Fiberglass gasket on bottom of frame to minimize heat transfer into ceiling cavity

Bar Hangers

- Integral nailers for wood joist construction. Must be reinforced with screws/nails per instruction sheet.
- Integral T-Bar mounting clamps
- Span 24" for T-Bar spacing
- Lock in position to secure housing

Labeling

- Non-IC rated; insulation must be kept at least 3" away from housing
- UL-CUL listed for damp location and feed through wiring
- UL Classified to maintain fire ratings of 1 hour or less for all UL P500 series fire rated ceiling/floor assemblies
- UL Classified to maintain fire ratings of 2 hours or less in all UL D200, G200, L200, D500, G500 and L500 series fire rated ceiling assemblies.

Lamp/Trim

- Socket mounts to trim for optimum performance and consistent lamp position
- Trim-Lok® action for trim retention forces trim to fit snugly against the ceiling

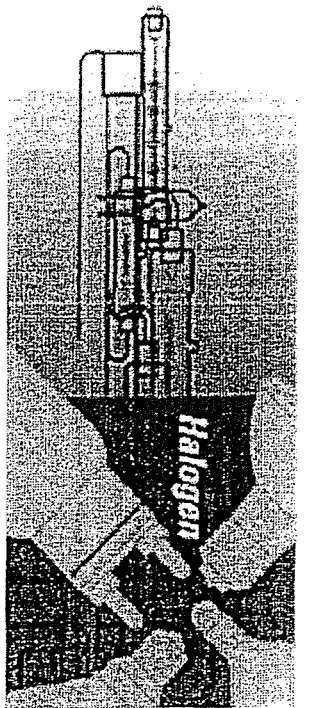
Rev. 1/03



Progress Lighting  
Post Office Box 5704  
Spartanburg, South Carolina  
29304-5704

www.progresslighting.com  
Patent# 5,758,959

*of lighting solutions*



Subcategory Halogen Compact PAR30 Lamps

Product Code 18060

Description 75PAR30/H/FL35°

Bulb PAR30

Base Med NP

Filament Design CC-8

Watts 75

Lumens 1030

Average Life Hours 3000

Volts 130

Case Quantity 15

MOL (In.) 3 5/8

Color Temperature (K) 2830

CBCP 2000

LCL (In.)

Additional Information Floodlight

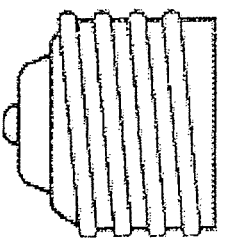
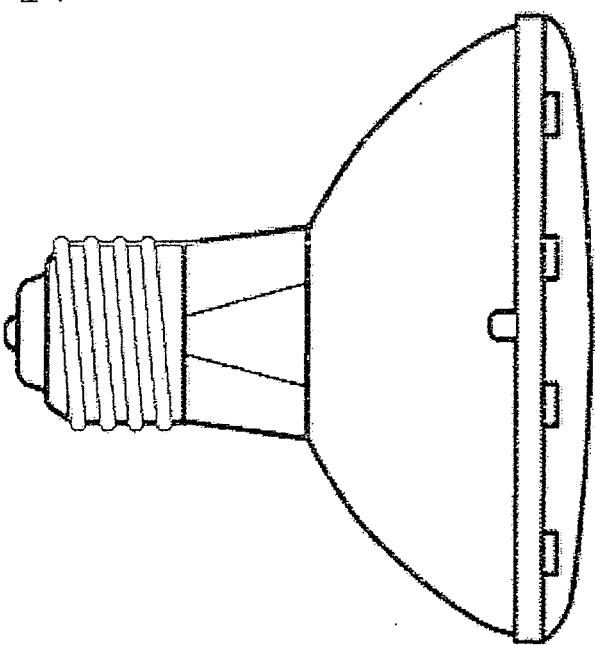
Footnotes Lamp is made of heat resistant glass (HRG).

Lamp base is a nickel plated brass base (NPBB).

Avoid use at short distances on materials that are inflammable or susceptible to heat damage.

Do not use lamp in application where it may be exposed to direct water splash. If lamp is used outdoors, it must be protected by an enclosed fixture or an overhang. Failure to properly protect the lamp can result in premature failure of the lamp.

If lamp is cracked or broken, replace immediately. The lamp may continue to light, but the inner bulb is pressurized and could unexpectedly shatter. Dispose of with care.



Reduced Wattage

High Color Rendering

To convert inches to millimeters, multiply by 25.4

**\*\*\*READ & SAVE THESE INSTRUCTIONS \*\*\***  
**ACCESS LIGHTING**  
**MODEL 520-40**  
**INSTALLATION & OPERATION INSTRUCTIONS**

**1) TOOLS AND MATERIALS REQUIRED**

- ❖ Blade Screwdriver
- ❖ Star Screwdriver
- ❖ Wire Cutters
- ❖ Wiring supplies as required by Electrical Code

**Attention:**

**Before assembling your lighting fixture, please read the following instructions.**

**(2) GENERAL**

1. To ensure the success of the installation, be sure to read these instructions thoroughly before beginning.
2. All electrical connections must be in accordance with local codes, ordinances, or the National Electrical Code. If you are unfamiliar with methods of installing electrical wiring, secure the services of a qualified licensed electrician.
3. These fixtures are intended for mounting to a standard 4" x 2 1/4" deep metal octagon outlet box. The box must be directly supported by the building structure.
4. Before commencing with the installation, **disconnect the power by turning off the circuit breaker** or by removing the fuse at the fuse box. Turning the power off using the light switch is not sufficient to prevent electrical shock.

**NOTE:**

**The important safeguards and instructions appearing in this manual are not meant to cover all possible conditions and situations that may occur. It must be understood that common sense, caution and care, are factors that cannot be built into any product. The person(s) caring for and operating the fixture must supply these factors.**

**(3) UNPACKING THE FIXTURE**

On checking the contents of the box you will find;

1. Fixture assembly
2. Adjustable Rods
3. Canopy
4. 6 x Opal Glass Shades
5. 6 x G-9/40W/120V
6. Mounting Hardware Pack

**(4) PREPARE THE FIXTURE**

1. If you are replacing an existing fixture, disconnect and remove the old fixture. Expose the supply wiring from the outlet box.
  2. Lay the un-assembled fixture on a soft surface and carefully remove all the packing material.
  3. Insert the fixture wires that are located at the top of the fixture into the two supplied adjustable rods, making sure that the smaller diameter rod is facing downwards towards the fixture.
  4. Attach the smaller diameter rods to the fixture and tighten by turning the rods in a clockwise direction.
  5. Thread the wires from the top of the adjustable rod assembly into the supplied canopy.
  6. Un-tighten the knurled lock nut and attach the top of the adjustable rod to the supplied canopy and fasten by turning the rods in a clockwise direction.
  7. Re-tighten the knurled lock nut. This will ensure the fixture remains stable until you are ready to do the final height adjustment once the fixture is installed.
  8. Screw the supplied 1/4" threaded rod approximately 4-5 turns into the hole located in the center of the crossbar and secure at either end with washers and hex nuts provided. Attach the cross bar to the junction box with the supplied screws.
  9. Connect the supply wires from the junction box to the fixture wires. The Black supply wire attaches to the Black fixture wire and the White supply wire attaches to the White fixture wire. Secure these connections with supplied wire nuts and tape these connections with electrical tape.
  10. Attach the fixture over the 1/4" threaded rod and secure with the supplied finial.
  11. Place opal glass shades over the socket and secure with the supplied glass retaining ring.
  12. Insert the G-9/40w Halogen bulb into the sockets.
  13. You are now ready to set the fixture at the desired length by unscrewing the knurled lock nuts and gently raise or lower the fixture to the desired height.
- Restore electricity and enjoy your new lighting fixture.

**CAUTION:**

- **Ensure that the Fitting is Cool and Switched off, Before Changing Bulbs.**
- **Do Not use Bulbs Exceeding Maximum Wattage, As Per Caution Label.**
- **Do Not Touch the fixture whilst it is in operation.**
- **Do Not Place Fixture near combustible material**

a c c e s s

L I G H T I N G

